

AURORA



Argo 8x8

2020 PARTS MANUAL

Aurora 850/950 SX

Aurora 850/950 SX Huntmaster

Aurora 850/950 SX-R

Aurora 850 SX Responder

Aurora 850 Limited

Aurora 950 Bigfoot

Foreword

ODG has prepared this parts manual for the Aurora models to assist both qualified mechanics and vehicle owners in ordering correct, quality replacement ARGO parts. For the most current parts manual contact your dealer or visit our website at www.argoxtv.com.

Proper and regular service, and replacing old, worn or broken parts with the correct ARGO replacement parts, are both essential to prolonging the life of the ARGO. Please refer to this parts manual and/or our website www.argoxtv.com before ordering any replacement part.

All information contained in this Aurora Parts Manual is based on the latest product specification available at time of release. If your Aurora differs from the specifications contained in this manual, contact your dealer for the most current information.

ODG reserves the right to alter specifications on the Aurora models at any time, without obligation or prior notification.

Reproduction of this Aurora Parts Manual, in whole or in part, is prohibited without prior written permission from Ontario Drive & Gear Limited.

Vehicle Identification

Aurora - 2020 Serial Nos... last 5 digits of V.I.N.

Explanation of Parts Manual Format

Ref - Reference number between assembly diagram and component parts list

Part No. - Argo replacement part number for identification and re-ordering

Description - Part description for identification and re-ordering

Qty - Indicates the quantity of a part used in an assembly



Using the Parts Manual

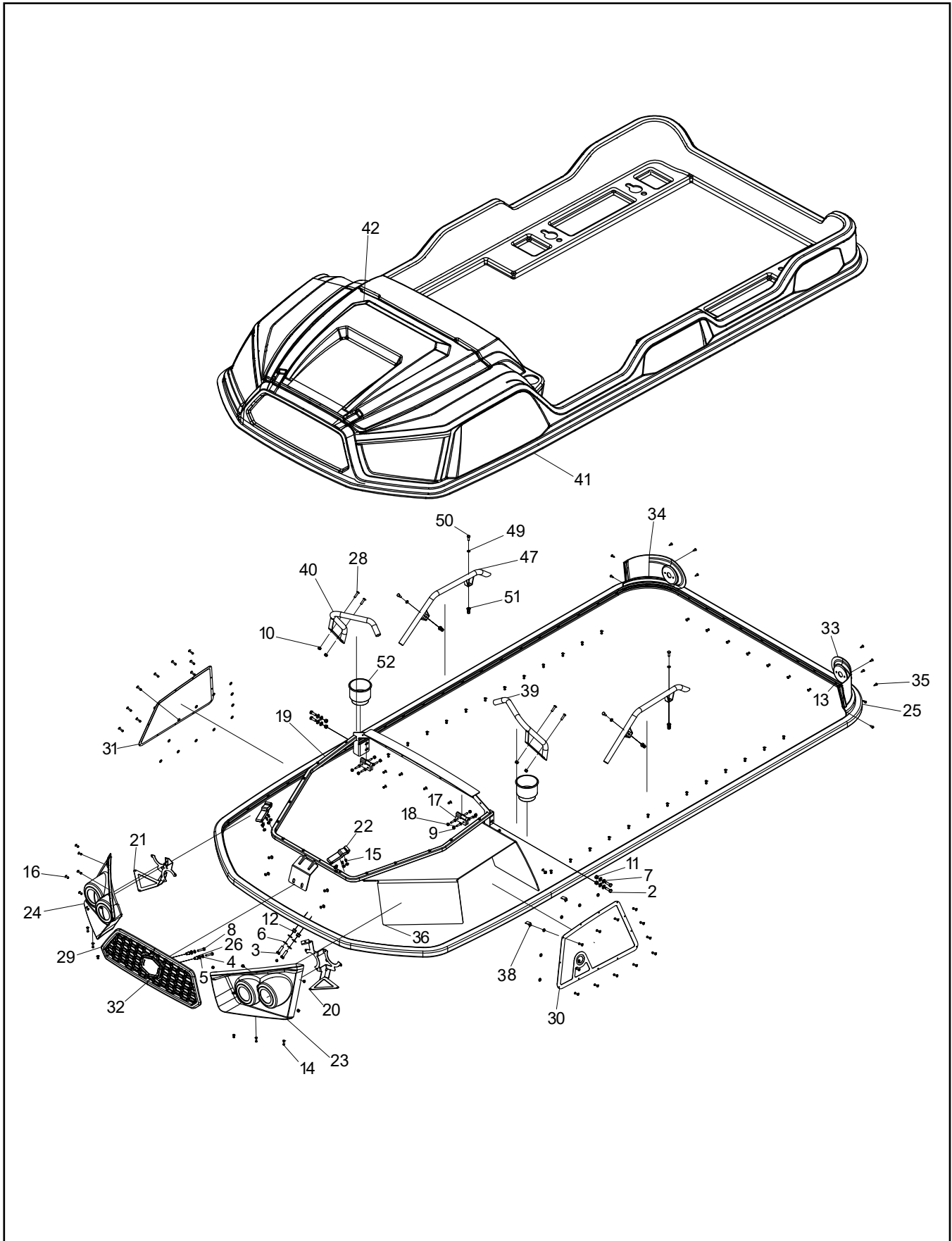
1. Find the major vehicle assembly in the Table of Contents on this page, and turn to that section.
2. Locate the part in the illustration that you wish to order.
3. Refer to the parts list in that section.
4. Find the correct part number (Part No.), part description (Description) and correct quantity (Qty).
5. Use *only* this information to order ARGO replacement parts. **DO NOT** attempt to order a replacement part by reference number or page number.

Table of Contents

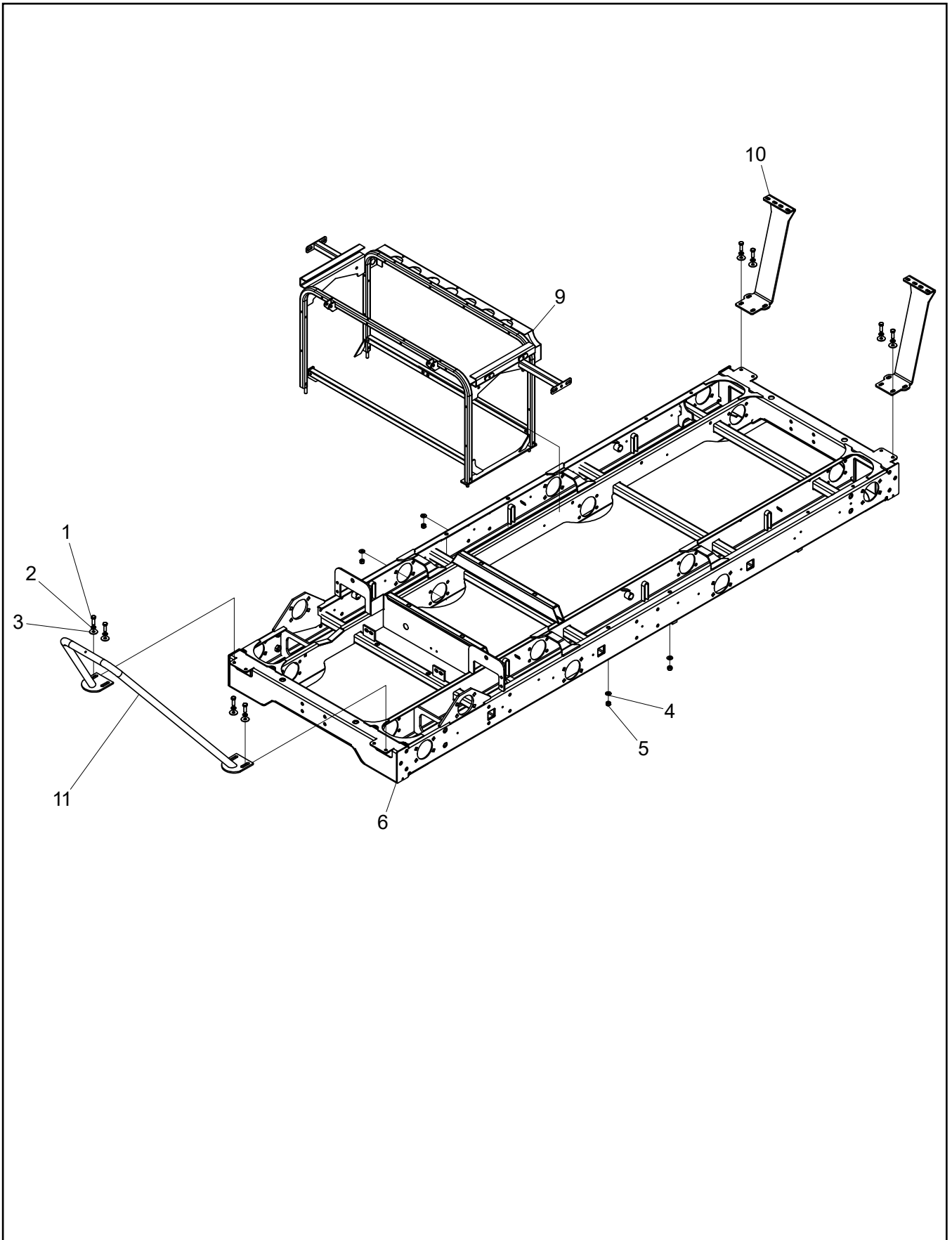
Foreword	i
Vehicle Identification.....	i
Using the Parts Manual	ii
1.0 Upper Body	1
2.0 Chassis.....	3
3.0 Lower Body	5
4.0 Covers	7
4.1 Covers - ROPS.....	9
5.0 Axle & Driveline	11
6.0 Fuel System	13
7.0 Intake System	15
8.0 Exhaust System	16
9.0 Wheel - Mud Tire	17
9.1 Wheel - Steel Beadlock	18
9.2 Wheel - Aluminum Beadlock	19
9.3 Wheel - Steel.....	20
10.0 Seat - Rear	21
10.1 Seat - Front	23
10.2 Seat - Side.....	24
10.3 Front Seat - Responder	25
10.4 Rear Seat - Responder	27
11.0 Steering & Brakes	29
12.0 Clutch	31
13.0 Transmission, Cable FNR	33
13.1 Transmission Sub-Assys (6.2).....	35
13.2 Transmission Sub-Assys (8.1).....	37
13.3 Transmission & Controls	39
14.0 Engine - B&S 33HP	41
14.1 Engine - B&S 40HP	43
15.0 Labels	45
15.1 Labels, By Region	47
16.0 Electrical	49
16.1 Main Wire Harness - Schematic.....	51
16.2 Main Wire Harness - Wire Diagram.....	53
16.3 Main Wire Harness - Photo Diagram...	55

1.0 Upper Body

Aurora Parts Manual

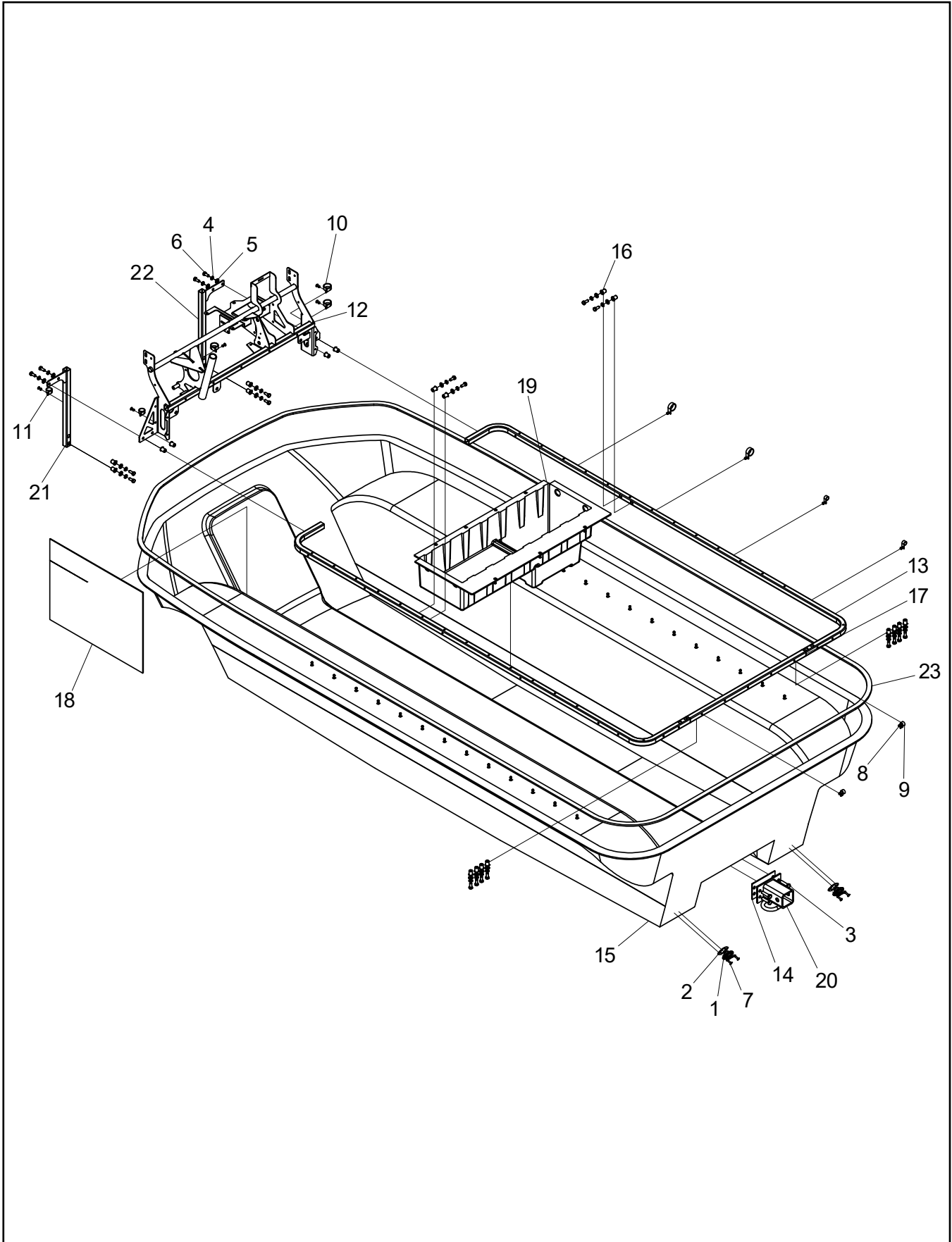


Ref.	Qty.	Part #	Description
2	4	103-06	HHCS 5/16-18x1.0 Gr5 Zn
3	2	103-34	HHCS 3/8-16x1.25 Gr5 Zn
4	2	108-03	Lockwasher 1/4 Split Ring Zn
5	2	108-08	Washer .28x.62x.07 Zn
6	4	108-15	Washer .42x.81x.05 Zn
7	8	108-24	Washer .34x.70x.06 Zn
8	2	112-90	HHCS 1/4-20x1.5" Gr5 Zn
9	8	112-115	Locknut, Nylon M6x1 Zn
10	4	117-27	Locknut, Nylon 1/4-20 Zn
11	4	117-127	Locknut, Nylon 5/16-18 Zp
12	2	117-128	Locknut, Nylon 3/8-16 Zp
13	105	120-04	Washer .19x.50x.08 Zn
14	105	120-09	Rivet - 3/16 x 1.0 Black
15	8	120-11	Rivet, 5/32 x .157-.472
16	67	120-13	Rivet - 3/16 x 3/4 Black
17	2	200-0003	Hinge, Barrel - Removable
18	8	200-0007-025	FHCS, M6x1.0x25 Gr10.9 Bnz
19	1	300-0019	Wldt, Hood Frame
20	1	300-0104	Mount, Left Headlight
21	1	300-0105	Mount, Right Headlight
22	2	602-56	Latch, Hood - Soft Draw
23	1	700-0004	Bezel, Head Light - Left
24	1	700-0005	Bezel, Head Light - Right
25	1	801-05	Bumper, Vinyl - 8x8
26	2	10055A003	Insert Nut, 1/4-20 Unc
27	40	10092A004	Washer, Finishing - #10
28	4	10153A100	BHCS, 1/4-20-1 Gr5 Bnz
29	1	10217C	Panel, Grille
30	1	10351C	Wldt, Exhaust Screen
31	1	10354C	Wldt, Intake Screen
32	1	10542C	Wldt, Logo Plate
33	1	10220C	Bucket, Light - LR
34	1	10221C	Bucket, Light - RR
35	12	103-48	T/S Pan Hd Phil #10x5/8 A Blk
36	1	400-0040	Shield, Upper Heat
37	5	120-14	Rivet - 3/16 x 5/8 Black
38	3	300-0239	Bracket, Heat Shield
39	1	700-0056	Wldt, Grab Handle - Left
40	1	700-0057	Wldt, Grab Handle - Right
41	1	700-0001	Upper Body, 8x8 - Specify Colour: Blk, Buc, Org, Red, Tun
42	1	700-0002	Hood, Aurora/Fron. - Specify Colour: Blk, Buc, Org, Red, Tun
47	2	700-0070	Handrail Wldt, Front
49	4	108-105	Lockwasher, 1/4 Split, Blk Zn
50	4	112-04	HHCS 1/4-20x3/4 Gr5 Zn
51	4	117-53	Nut, Jack 1/4-20 8L-JNS Zn
52	2	700-0234	Cup Holder Insert - Large

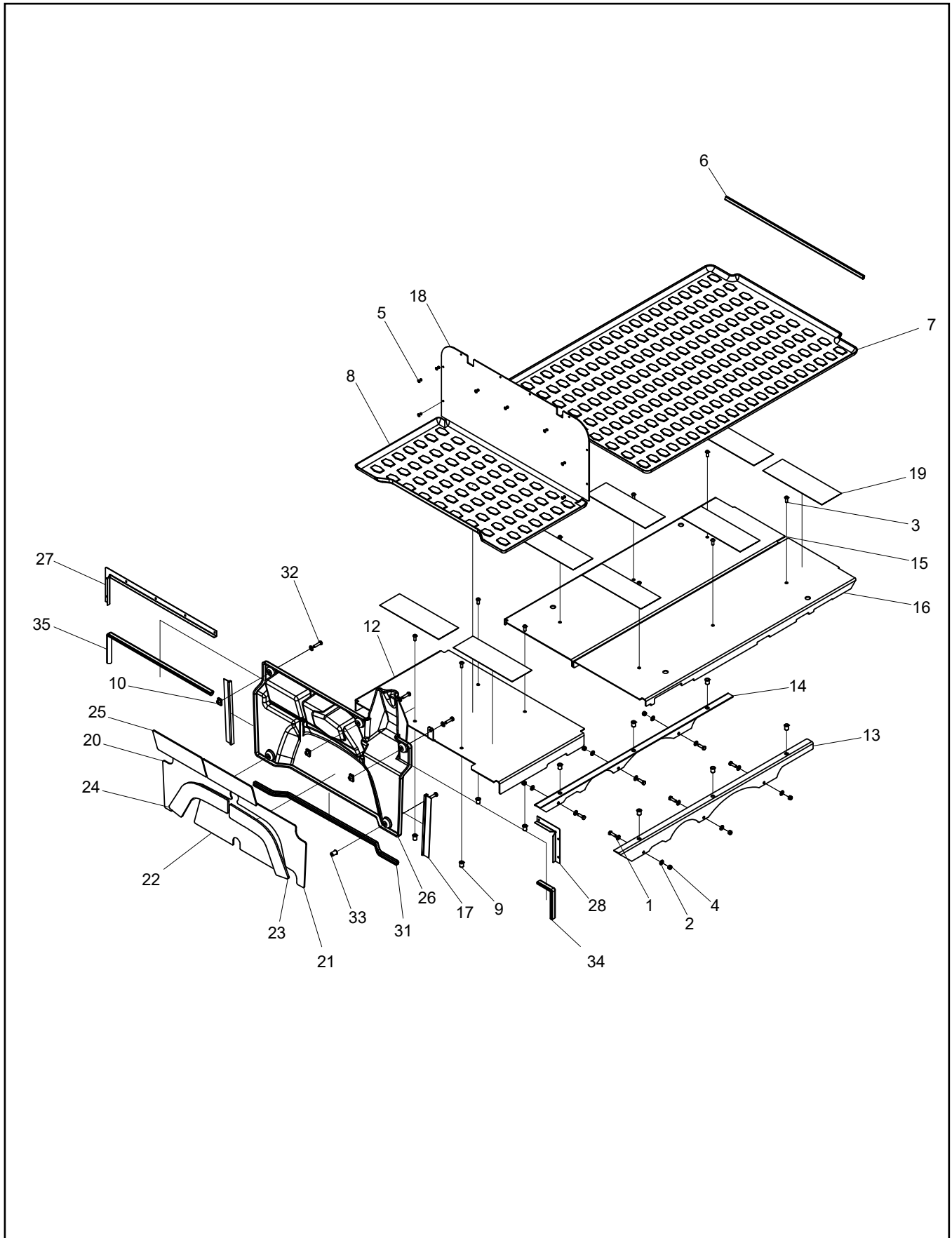


Ref.	Qty.	Part #	Description
1	8	103-06	HHCS 5/16-18x1.0 Gr5 Zn
2	8	108-05	Lockwasher 5/16 Split-Ring Bnz
3	8	108-12	Washer .34x1.00x.06 Zn
4	4	108-24	Washer .34x.70x.06 Zn
5	4	117-21	Locknut, TD 5/16-18 Bnz
6	1	300-0062	Chassis, 8x8
9	1	10691C	Wldt, Seat Frame
10	2	300-0142	Bracket, Rear Hoop
11	1	300-0074	Wldt, Winch Hoop

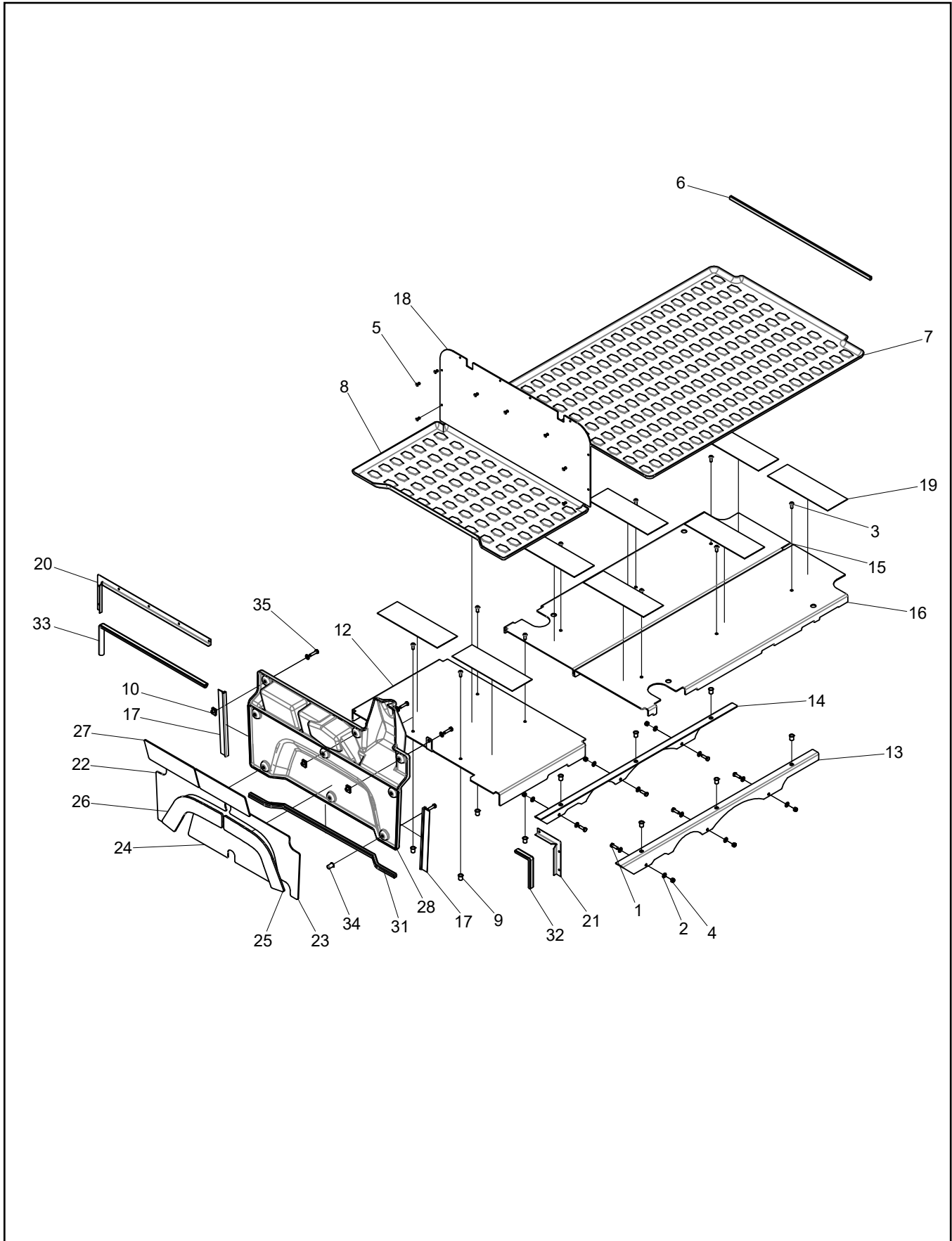
3.0 Lower Body



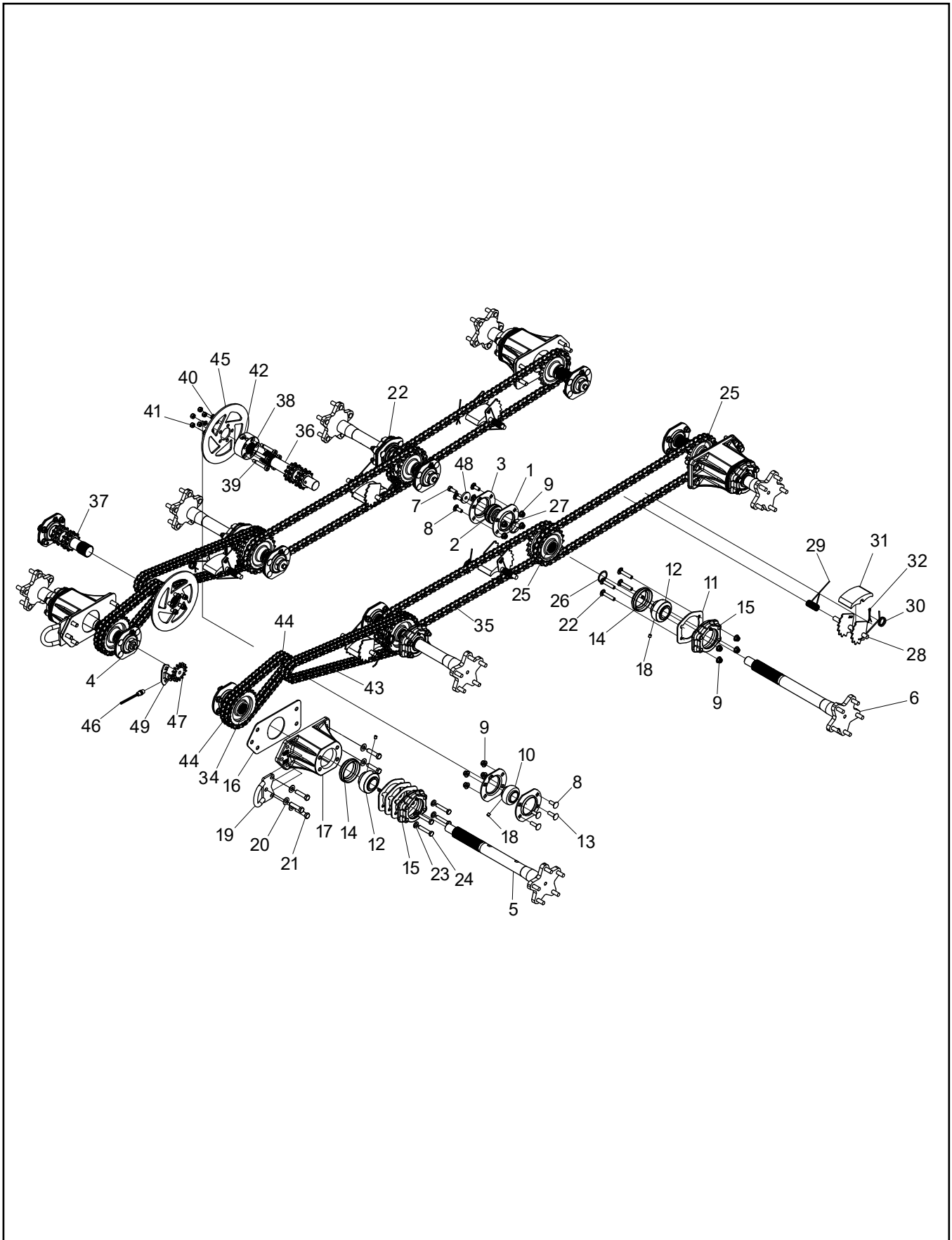
Ref.	Qty.	Part #	Description
1	2	100-107 100-115	Plug, Drain-Flanged Drain Plug (male) c/w O-Ring
2	2	100-114	Gasket, Drain Plug
3	4	103-61	HHCS 3/8-24x1.5 Gr5 Zn
4	20	108-05	Lockwasher 5/16 Split-Ring Bnz
5	20	108-24	Washer .34x.70x.06 Zn
6	20	112-01	HHCS 5/16-18x3/4 Gr5 Zn
7	11	120-09	Rivet - 3/16 x 1.0 Black
8	37	120-13	Rivet - 3/16 x 3/4 Black
9	4	126-93	Clamp, Nylon Wire - 1/2" ID
10	5	127-24	Clamp, Nylon - 1" ID
11	2	127-287	Clamp, Nylon, 3/4 ID
12	1	300-0003	Wldt, Dash Support
13	2	300-0026	Tube, Upper Hoop - 8x8
14	1	616-20	Gasket, Rear Hitch
15	1	801-50	Body, Lower - Avenger
16	20	10055A001	Insert Nut, 5/16-18 UNC
17	1	10209C	Rear Tube
18	1	10257C	Insulation, Lower Body
19	1	10586C	Under Seat Storage Box
20	1	300-0079	Hitch, Receiver
21	1	300-0208	Wldt, Lower Dash Support - Left
22	1	300-0216	Wldt, Lower Dash Support - Right
23	1	200-0001-323	PVC Foam Tape, 1/4" x 3/4" x 323"



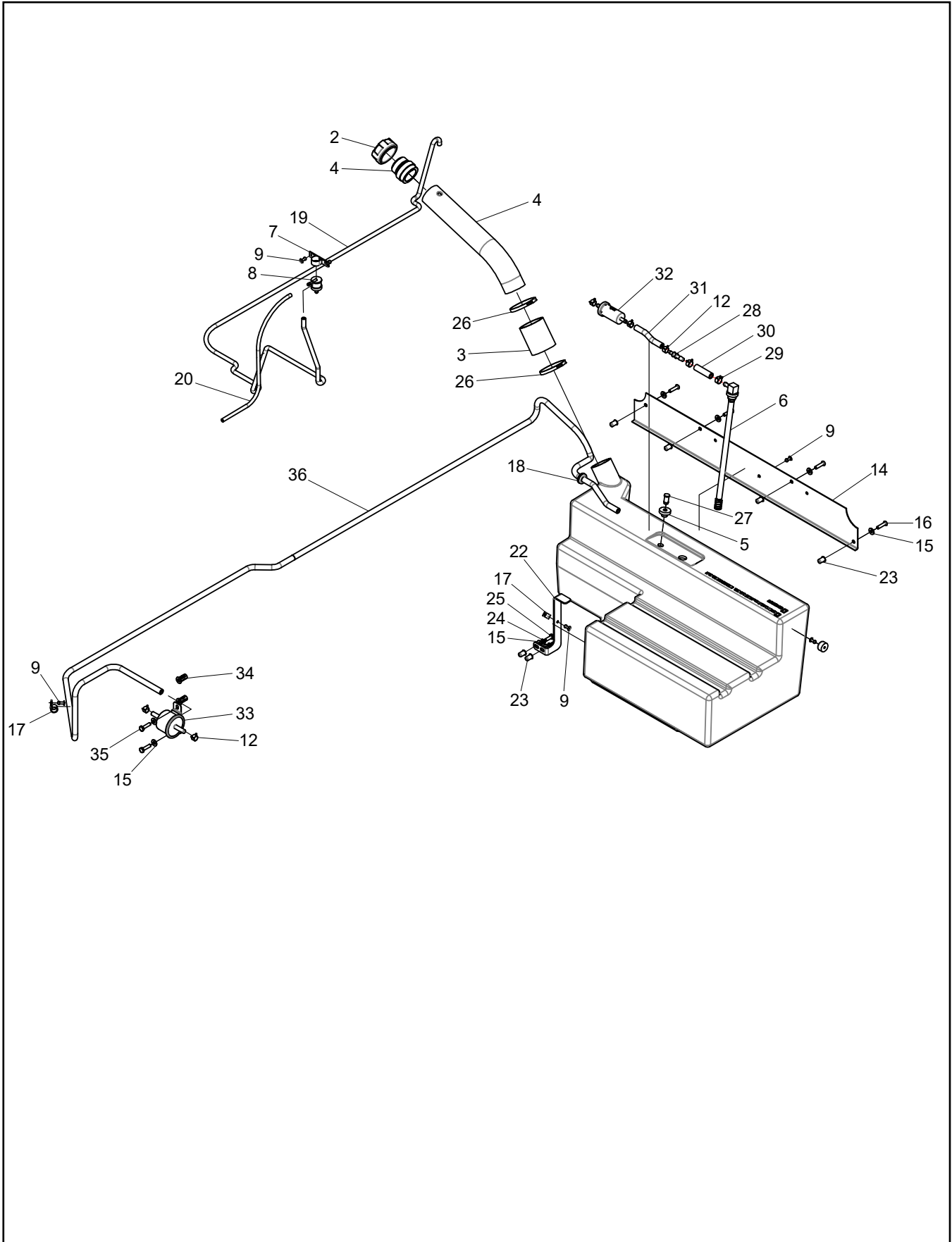
Ref.	Qty.	Part #	Description
1	6	103-06	HHCS 5/16-18x1.0 Gr5 Zn
2	17	108-24	Washer .34x.70x.06 Zn
3	10	112-276	BHCS, 5/16-18 x 0.75
4	6	117-127	Locknut, Nylon 5/16-18 ZP
5	8	120-13	Rivet - 3/16 x 3/4 Black
6	1	601-09	Trim, Vinyl - 28"
7	1	10052C	Rear Floor Mat
8	1	10053C	Mat, Front - Flat Floor
9	10	10055A001	Insert Nut, 5/16-18 UNC
10	3	10056A006	Unut, 5/16-18 x .025-.150 PH
12	1	10200C	Plate, Floor - Front
13	1	10201C	Support, Floor - Left
14	1	10202C	Support Floor - Right
15	1	300-0292	Floor, Rops - Right
16	1	300-0293	Floor, Rops - Left
17	2	10304C011	Flap Seal 90 Degree - 10.75"
18	1	10315C	Fuel Tank Cover
19	8	10321C	Grip Tape 12"
20	1	700-0050	Trim, Firewall - Right
21	1	700-0064	Trim, Firewall - Left
22	1	10100C	Insulation Firewall RH
23	1	10101C	Insulation Firewall LH
24	1	10102C	Insulation Firewall Center
25	1	10103C	Insulation, Firewall Cent LH
26	1	10104C	Insulation, Firewall Cent RH
27	2	700-0065	Insulation, Firewall 4x10
28	1	700-0066	Panel, Firewall
31	1	200-0025-030	Seal, 90 Deg Bulb - 0.43 Dia x 30
32	1	849-176-008	Weatherseal-D Strip W/Adh Back x 8"
33	1	849-176-026	Weatherseal-D Strip W/Adh Back x 26"
34	2	10055A011	Insert, 5/16-18x0.150-0.312 Zn
35	5	103-38	HHCS 5/16-18x1.25 Gr5 Zn



Ref.	Qty.	Part #	Description
1	6	103-06	HHCS 5/16-18x1.0 Gr5 Zn
2	17	108-24	Washer .34x.70x.06 Zn
3	10	112-276	BHCS, 5/16-18 x 0.75
4	6	117-127	Locknut, Nylon 5/16-18 ZP
5	8	120-13	Rivet - 3/16 x 3/4 Black
6	1	601-09	Trim, Vinyl - 28"
7	1	10052C	Rear Floor Mat
8	1	10053C	Mat, Front - Flat Floor
9	10	10055A001	Insert Nut, 5/16-18 UNC
10	3	10056A006	Unut, 5/16-18 x .025-.150 PH
12	1	10200C	Plate, Floor - Front
13	1	10201C	Support, Floor - Left
14	1	10202C	Support Floor - Right
15	1	300-0292	Floor, Rops - Right
16	1	300-0293	Floor, Rops - Left
17	2	10304C011	Flap Seal 90 Degree - 10.75"
18	1	10315C	Fuel Tank Cover
19	8	10321C	Grip Tape 12"
20	1	700-0050	Trim, Firewall - Right
21	1	700-0064	Trim, Firewall - Left
22	1	10100C	Insulation Firewall RH
23	1	10101C	Insulation Firewall LH
24	1	10102C	Insulation Firewall Center
25	1	10103C	Insulation, Firewall Cent LH
26	1	10104C	Insulation, Firewall Cent RH
27	2	700-0065	Insulation, Firewall 4x10
28	1	700-0066	Panel, Firewall
31	1	200-0025-030	Seal, 90 Deg Bulb - 0.43 Dia x 30
32	1	849-176-008	Weatherseal-D Strip W/Adh Back x 8"
33	1	849-176-026	Weatherseal-D Strip W/Adh Back x 26"
34	2	10055A011	Insert, 5/16-18x0.150-0.312 Zn
35	5	103-38	HHCS 5/16-18x1.25 Gr5 Zn

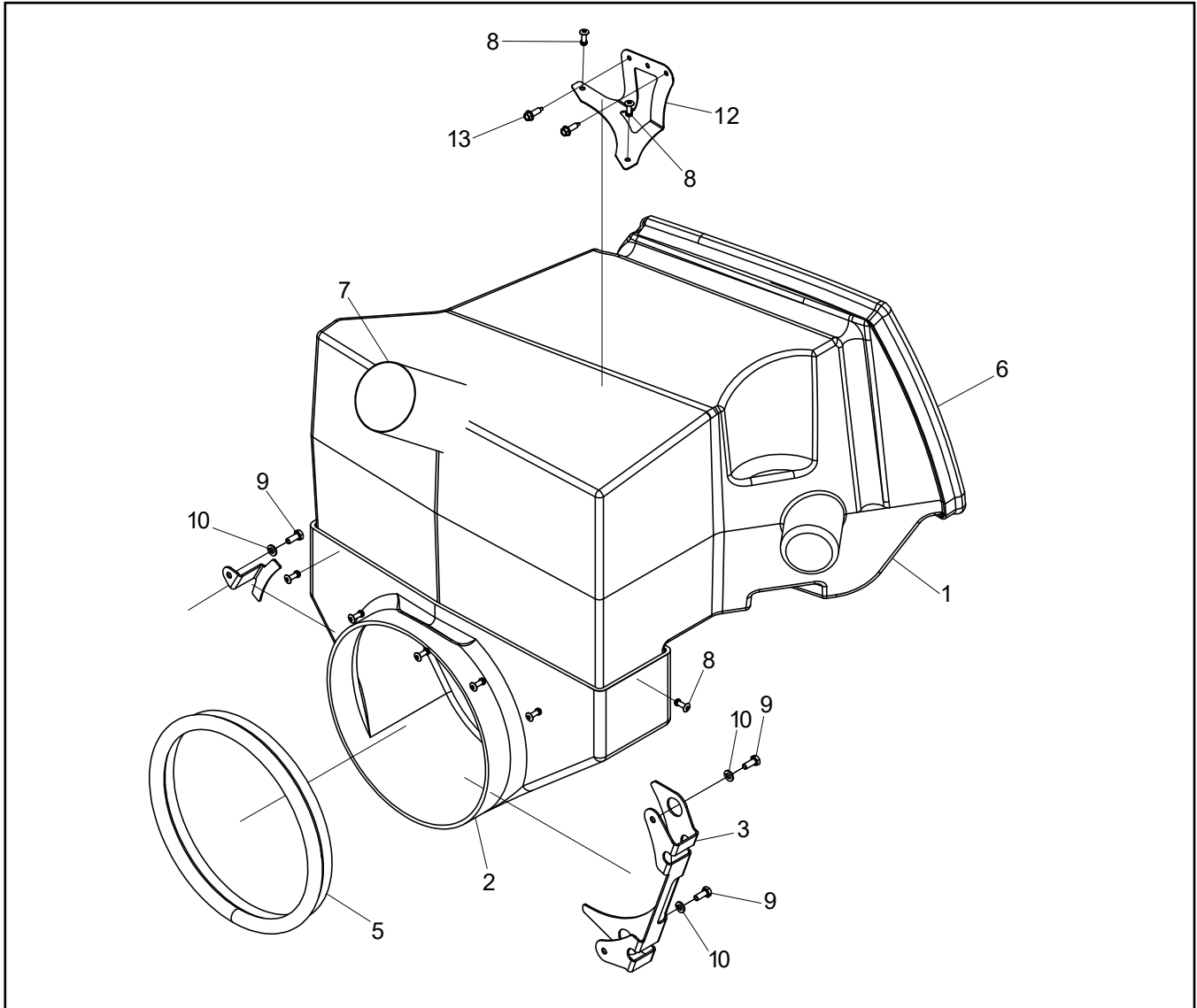


Ref.	Qty.	Part #	Description
1	10	606-91	Flange, 4-Hole HD
2	8	101-41	Bearing, Ball- 1.0
3	8	606-92	Flange, Greaseable - 4-Hole HD
4	2	606-93	Flange, Greaseable - 90 Deg HD
5	4	810-122	Asm, Axle Forged - FR/RR
6	4	810-123	Asm, Axle Forged - MID
7	8	112-31	HHCS 3/8-16x1.0 2B Gr8 Zn
8	36	103-88	C/Bolt 3/8-16x1.0 Gr5 Zn
9	56	117-118	Locknut, Nylon 3/8-16, Flanged
10	2	101-96	Bearing,Ball-1.25
11	16	606-90	Gasket, Flange -72 mm BRG
12	8	101-123	Bearing, Ball -1.25 x 72mm
13	4	112-61	C/Bolt 3/8-16x1.25 Gr5 Zn
14	8	606-89	Carrier, Axle Bearing
15	8	606-88	Flange Asy, Outer Bearing
16	4	606-25	Gasket, Bearing Extension
17	4	810-112	Extension Asy, Bearing W/Nuts
18	20	112-200	SHSS 5/16-24x5/16 Flat PT
19	2	642-47	Tie Down Bracket
20	20	108-34	Washer .47x.94x.06 Zn
21	20	112-181	HHCS 7/16-20x1.75 Gr5 Zn
22	16	112-187	C/Bolt 3/8-16x2.0 Gr5 Zn
23	16	108-27	Lockwasher 7/16 Split-Ring Zn
24	16	103-68	HHCS 3/8-16x2.0 Gr5 Zn
25	8	805-143	Sprocket, S60x19T-16/32 Int
26	6	106-15	Retaining Ring SH-0137-PA
27	6	106-34	Retaining Ring, E-Style - 1.375"
28	6	606-82	Tensioner Asy, Chain - Course
29	6	127-64	Spring, Torsion - .76 x 1.9
30	6	127-65	Spring, Torsion - 1.16 x 0.35
31	6	606-44	Slider Block - UHMW
32	6	100-01	Pin, Cotter 1/8x1.50 Zn
34	4	805-142	Sprocket, D50x25T-16/32 Int
35	4	803-57	Chain, RC60-1 x 90P
36	1	810-116	Shaft, Idler, Splined, Long, 11T
37	1	810-115	Shaft, Idler, Splined, Short, 11T
38	2	810-117	Coupler, Idler Shaft
39	10	112-201	Bolt, Shoulder M10x45
40	10	108-05	Lockwasher 5/16 Split-Ring Bnz
41	10	117-77	Locknut, Nylon - M8x1,25mm Zn8
42	2	100-127	Fitting, Grease STR 1/4-28 TPR
43	2	803-65	Chain, RC50-2x80P-Middle
44	2	603-19	Chain RC50-2x44P - Front
45	2	165-25	Disc, Brake, Service
46	1	10011B	Sensor, Speed
47	1	500-0021	Disc, Wheel Speed Sensor - 15T
48	7	200-0005	Washer, .39 x 1.45 x .188
49	1	500-0022	Bracket, Wheel Speed Sensor

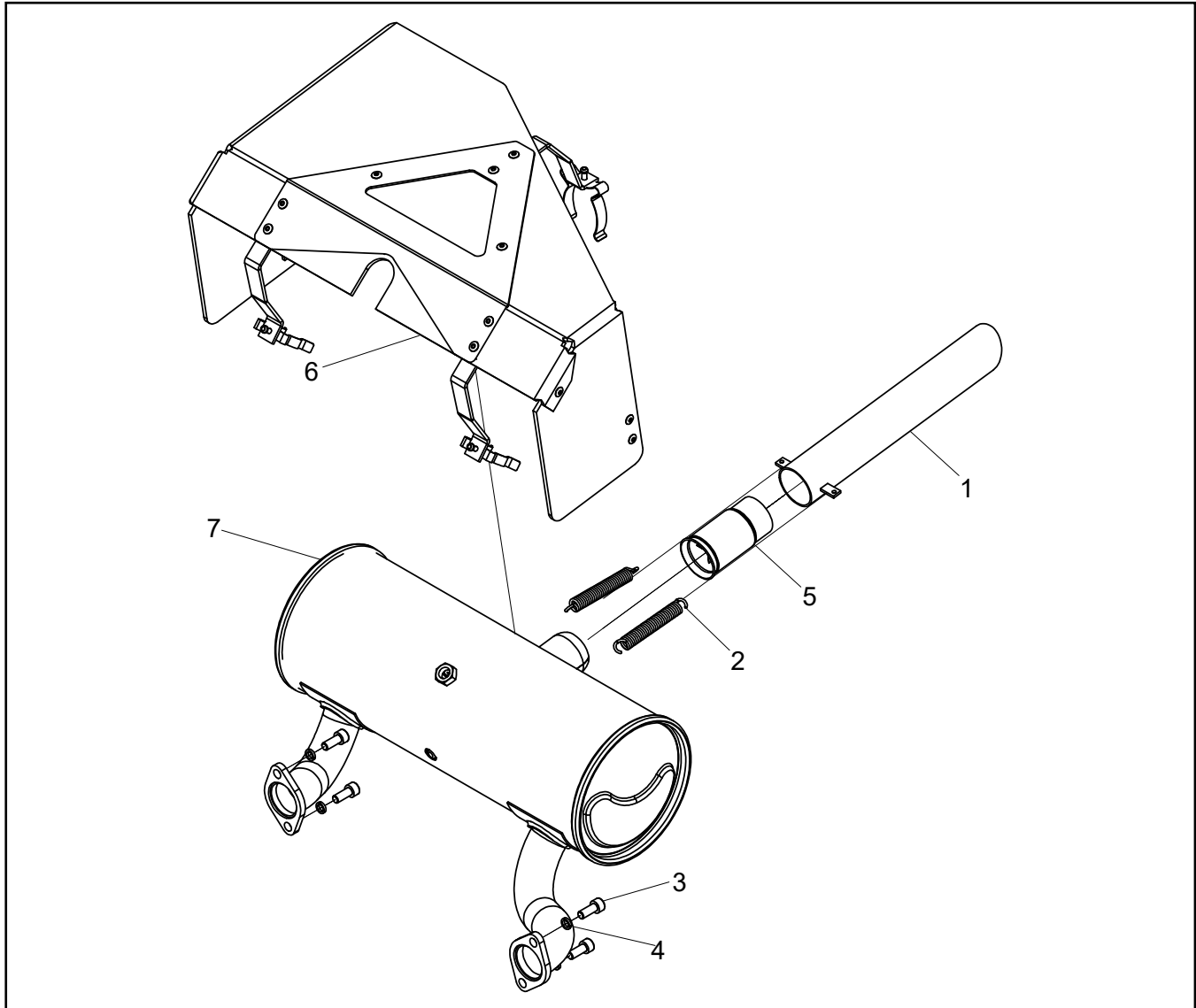


Ref.	Qty.	Part #	Description
1	1	608-120	Tank, Fuel Low Permeation
2	1	126-100	Fuel Cap, Tethered
3	1	10251C	Hose, Fuel Fill
4	1	10253C	Wldt, Fuel Fill Neck
5	1	608-136	Grommet, Fuel Return
6	1	608-127	Pick-Up, Fuel 5/16, 105 Mesh
7	1	609-50	Clamp, Rollover Valve
8	1	609-47	Valve, Rollover
9	7	120-13	Rivet - 3/16 x 3/4 Black
10	2	126-102	Bumper, Recessed Hole
12	5	112-79	Clamp, Hose 1/2" Black
14	1	10206C	Plate, Fuel Rail
15	8	108-08	Washer .28x.62x.07 Zn
16	4	10153A100	BHCS, 1/4-20-1 Gr5 Bnz
17	2	126-93	Clamp, Nylon Wire - 1/2" ID
18	1	127-132	Grommet, Rubber - 1/2" ID
19	1	127-160-76	Tubing, 1/4 ID Clear Plastic 76"
20	1	127-160-15	Hose, Vent 3/16" ID 15"
21	6	100-64	Tie Wrap - 5.5" - Black
22	1	10320C	Brkt, Tank Hold Down
23	6	10055A003	Insert Nut, 1/4-20 UNC
24	2	108-105	Lockwasher, 1/4 Split, Blk Zn
25	2	112-04	HHCS 1/4-20x3/4 Gr5 Zn
26	2	10639C	Clamp, 1-Ear 58.8-62mm
27	1	608-137	Plug, Push In
28	1	808-133	Reducer, Barbed - 5/16 to 1/4
29	2	112-78	Clamp, Hose 9/16" Black
30	1	608-69-2	Hose, Fuel - 5/16" ID, Carb 2"
31	1	608-67-004	Hose, Fuel - 1/4" ID - 4"
32	1	400-0001	Fuel Filter
33	1	400-0002	Fuel Pump, Briggs
34	2	117-53	Nut, Jack 1/4-20 8L-JNS Zn
35	2	103-08	HHCS 1/4-20x1.0 BNZ
36	1	608-67-096	Hose, Fuel - 1/4" ID - 96"

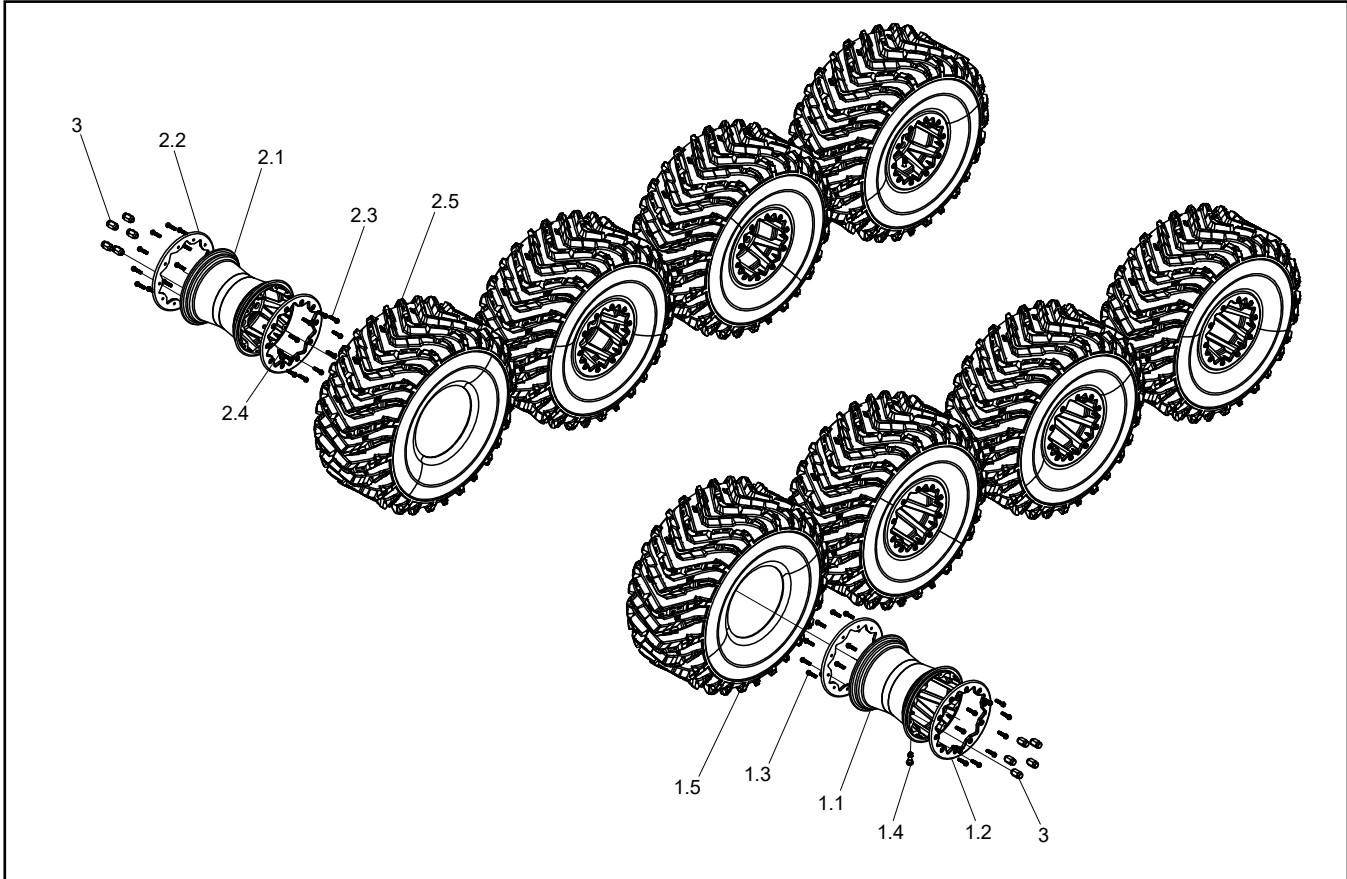
7.0 Intake System



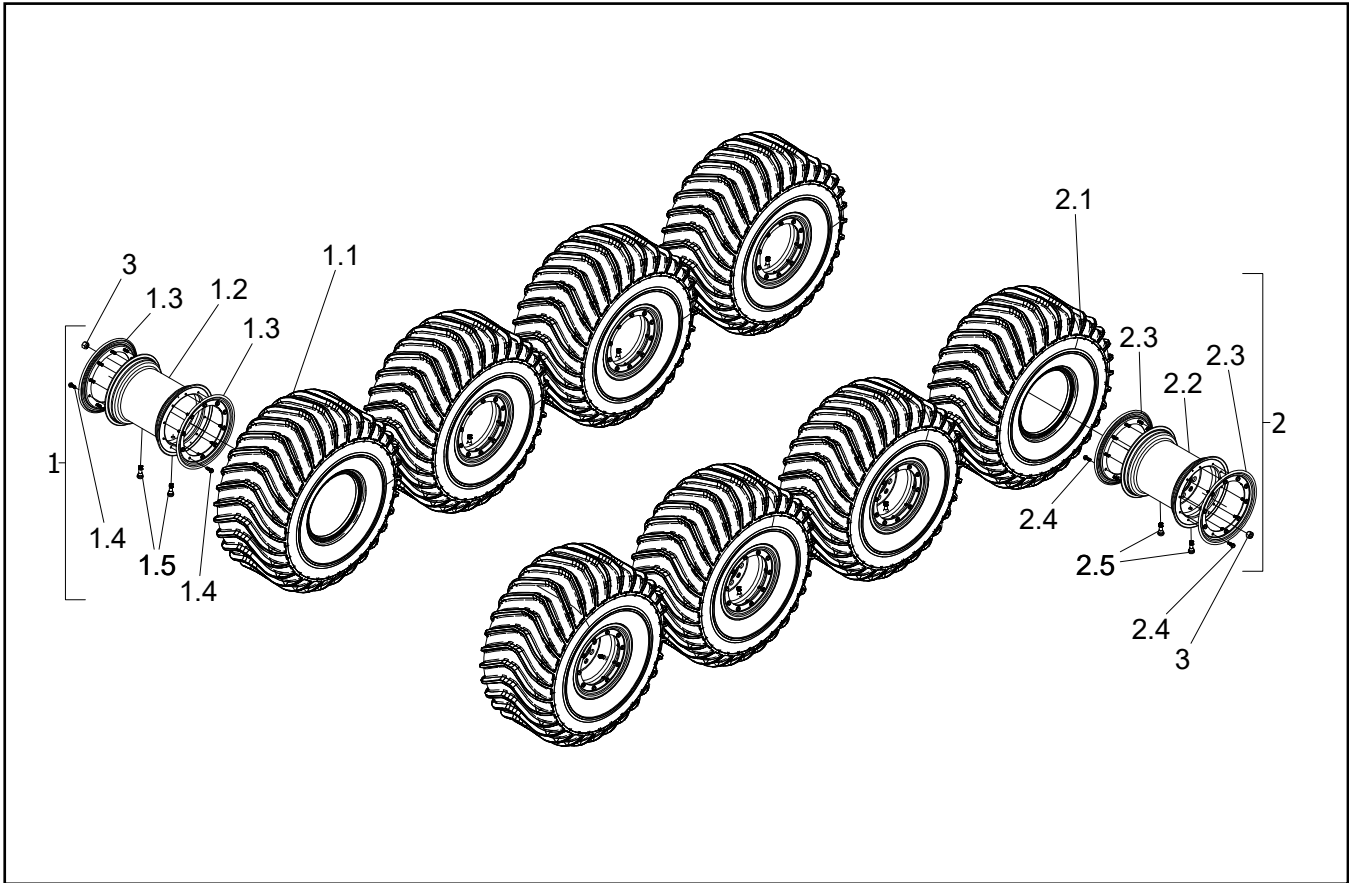
Ref.	Qty.	Part #	Description
1	1	10617C	Duct, Intake - Upper
2	1	10618C	Duct, Intake - Lower
3	1	10773C	Retainer, Intake Duct - Lower
4	1	10774C	Retainer, Intake Duct - Upper
5	1	807-77-31	Seal, Bulb - 31"
6	1	807-77-40	Seal, Bulb - 40"
7	1	864-10	Hose, Brake 3" x 6"
8	14	120-14	Rivet - 3/16 x 5/8 Black
9	3	112-118	HHCS M6x1,0x15mm
10	3	108-03	Lockwasher 1/4 Split Ring Zn
12	1	300-0183	Bracket, Air Duct Support
13	2	112-102	Screw, Self Drill 12-14 x 3/4"



Ref.	Qty.	Part #	Description
1	1	400-0009	Wldt, Tail Pipe
2	2	127-187	Spring, Ext 17/32 X 3.75
3	4	112-30	SHCS M8x1,25x20mm Zn
4	4	108-02	Lockwasher 5/16 Hi-Collar Bare
5	1	400-0019	Spark Arrestor Assembly
6	1	400-0038	Shield Asm, Muffer
7	1	400-0033	Muffer, Briggs & Stratton - 33HP

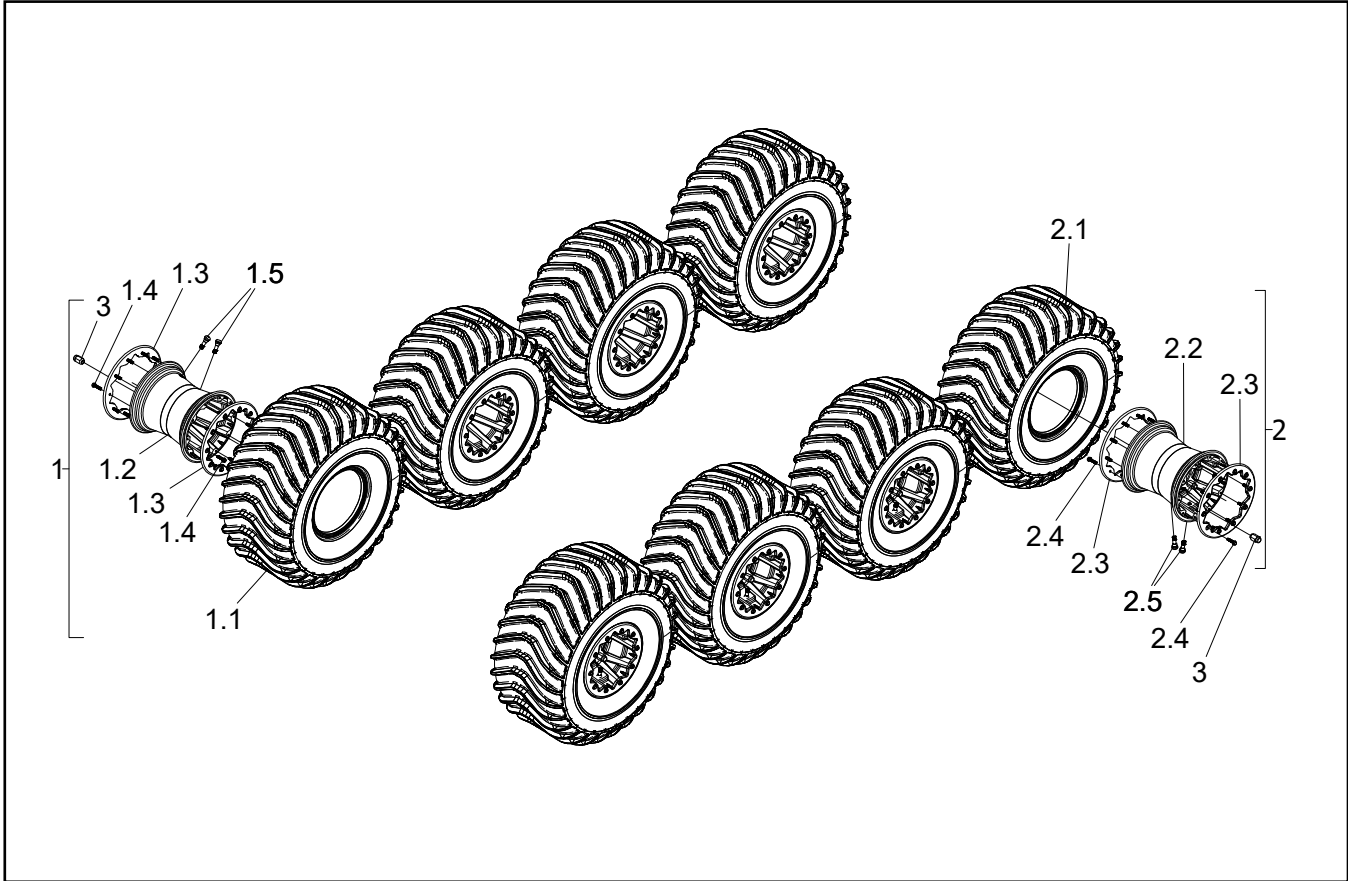


Ref.	Qty.	Part #	Description
1	4	500-0008	Wheel, XT119 25xX12-9 - AL BL Left
1.1	1	10007C	Rim, Alum Beadlock 9 x 10
1.2	2	10014C	Ring, Alum Beadlock Blk
1.3	20	10017C	Bolt, Alum Beadlock Ring
1.4	2	125-26A	Valve, Tire - Unassembled
1.5	1	500-0000	Tire, 25x12-9 - Argo XT119
2	4	500-0009	Wheel, XT119 25x12-9 - AL BL Right
2.1	1	10007C	Rim, Alum Beadlock 9 x 10
2.2	2	10014C	Ring, Alum Beadlock Blk
2.3	20	10017C	Bolt, Alum Beadlock Ring
2.4	2	125-26A	Valve, Tire - Unassembled
2.5	1	500-0000	Tire, 25x12-9 - Argo XT119
3	40	117-117	Nut, Wheel, 7/16-20, Chrome

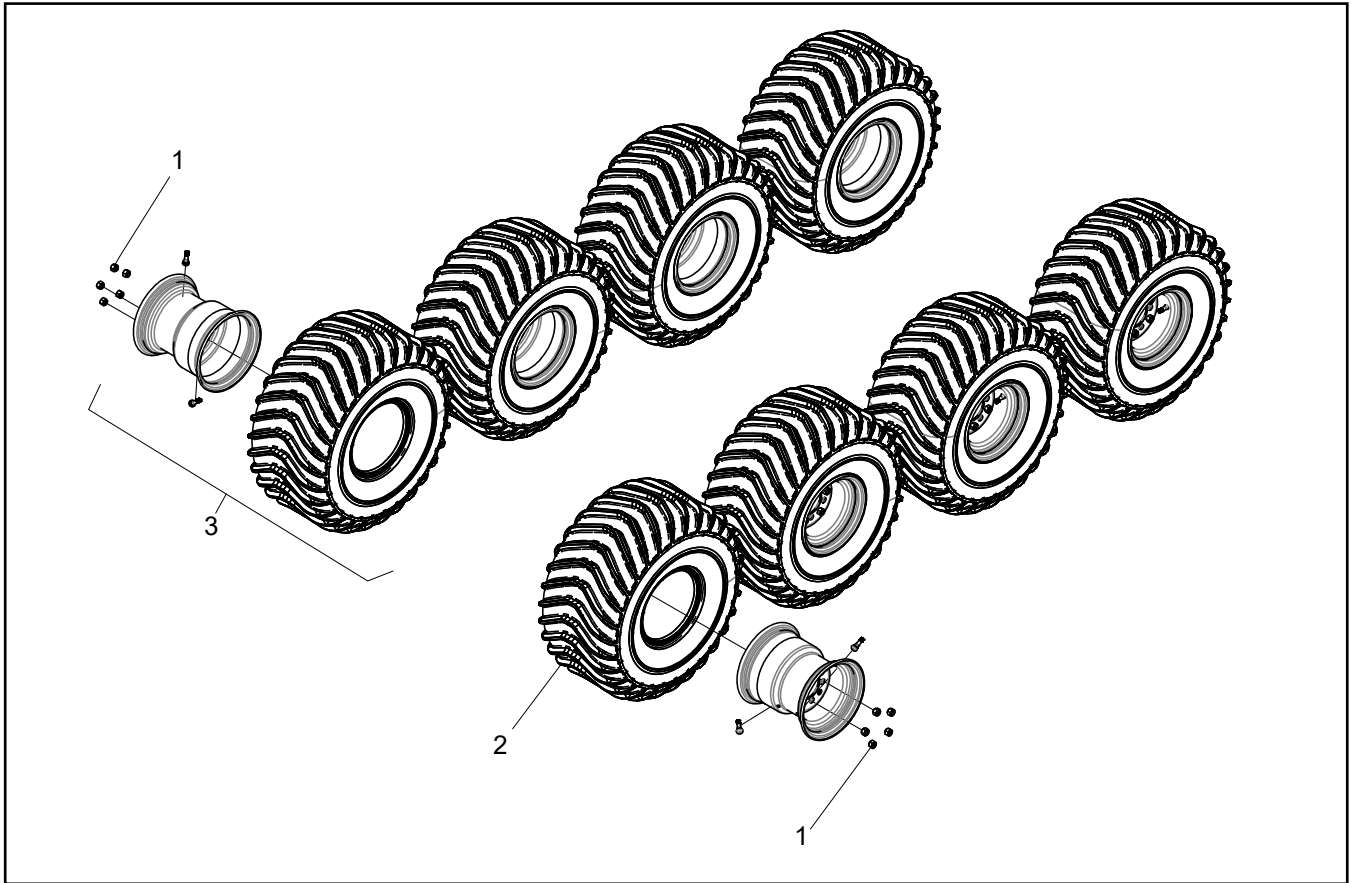


Ref.	Qty.	Part #	Description
1	4	10008CVRT	Wheel, 25" Stl Beadlock Right
1.1	1	10001C	Tire, 25 x 12 - 9 XT117
1.2	1	10006C	Rim, Steel Beadlock 9 x 10
1.3	1	10015C	Ring, Steel Beadlock Blk (Pk of 2)
1.4	1	10016C	Bolt, Steel Beadlock Ring (Pk of 20)
1.5	2	125-26A	Valve, Tire - Unassembled
2	4	10008CVLT	Wheel, 25" Stl Beadlock Left
2.1	1	10001C	Tire, 25 x 12 - 9 XT117
2.2	1	10006C	Rim, Steel Beadlock 9 x 10
2.3	1	10015C	Ring, Steel Beadlock Blk (Pk of 2)
2.4	1	10016C	Bolt, Steel Beadlock Ring (Pk of 20)
2.5	2	125-26A	Valve, Tire - Unassembled
3	40	117-35	Nut, Wheel 7/16-20 Zn

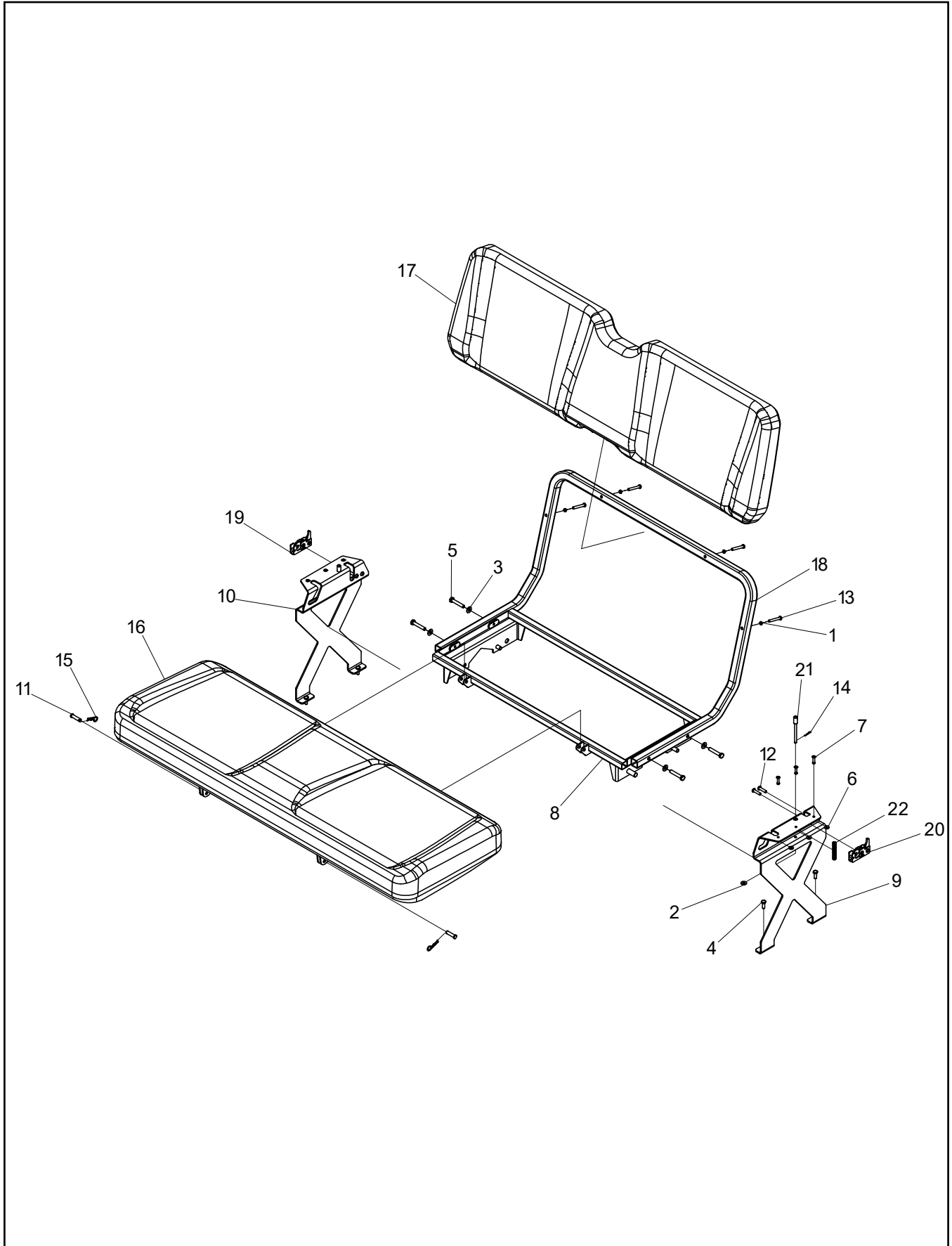
9.2 Wheel - Aluminum Beadlock



Ref.	Qty.	Part #	Description
1	4	10009CVRT	Tire, 25 X 12 - 9 XT117
1.1	1	10001C	Wheel, 25" AL Beadlock RT
1.2	1	10007C	Rim, Alum Beadlock 9 x 10
1.3	1	10014C	Ring, Alum Beadlock Blk (Pk of 2)
1.4	1	10017C	Bolt, Alum Beadlock Ring (Pk of 20)
1.5	2	125-26A	Valve, Tire - Unassembled
2	4	10009CVLT	Wheel, 25" AL Beadlock LT
2.1	1	10001C	Tire, 25 x 12 - 9 XT117
2.2	1	10007C	Rim, Alum Beadlock 9 x 10
2.3	1	10014C	Ring, Alum Beadlock Blk (Pk of 2)
2.4	1	10017C	Bolt, Alum Beadlock Ring (Pk of 20)
2.5	2	125-26A	Valve, Tire - Unassembled
3	40	117-117	Acorn Nut, Wheel, 7/17-20, Chrome

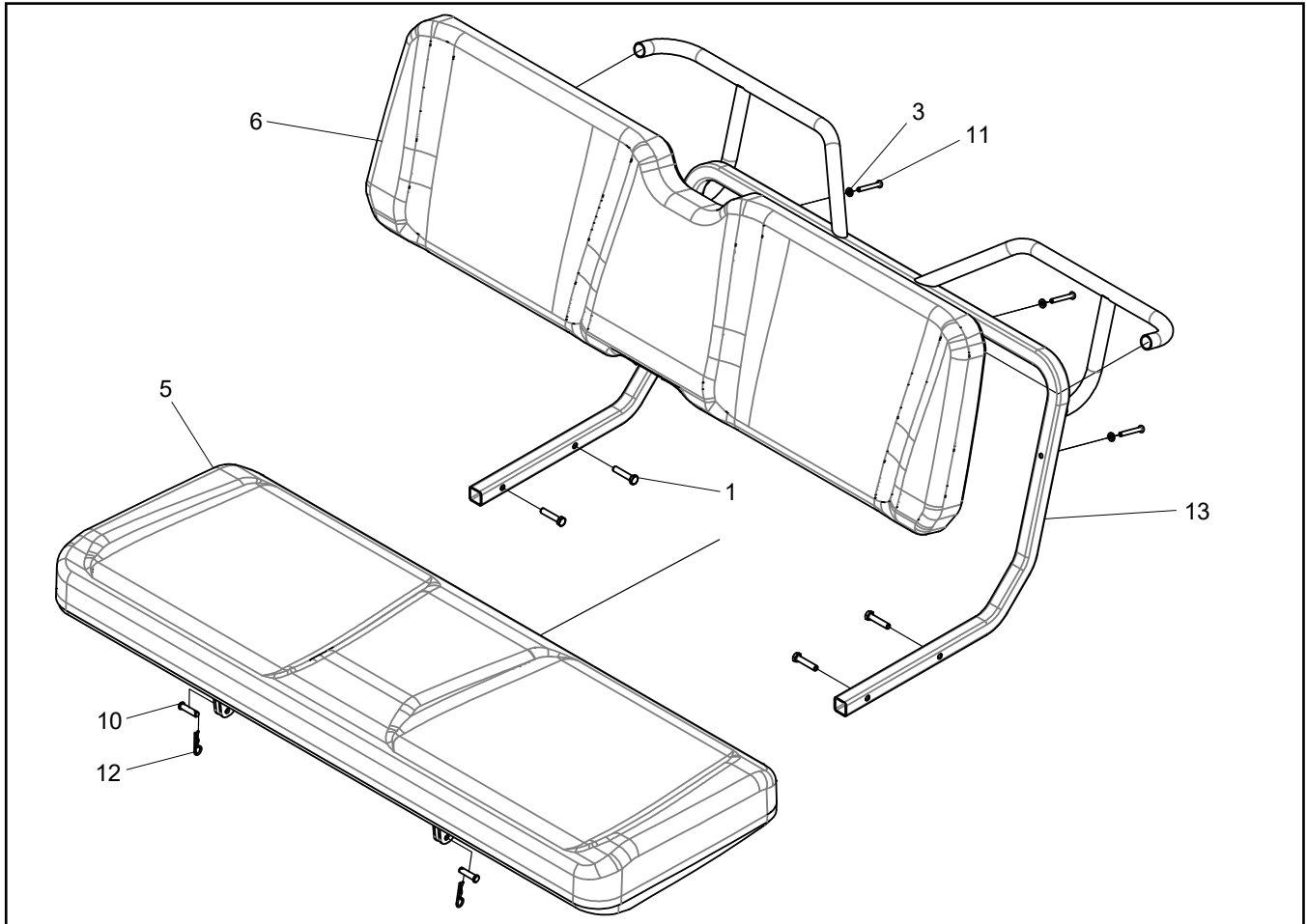


Ref.	Qty.	Part #	Description
1	40	117-35	Nut, Wheel 7/16-20 BNZ
2	4	10010CVLT	Wheel, 25" STL Rim Left
3	4	10010CVRT	Wheel, 25" STL Rim Right

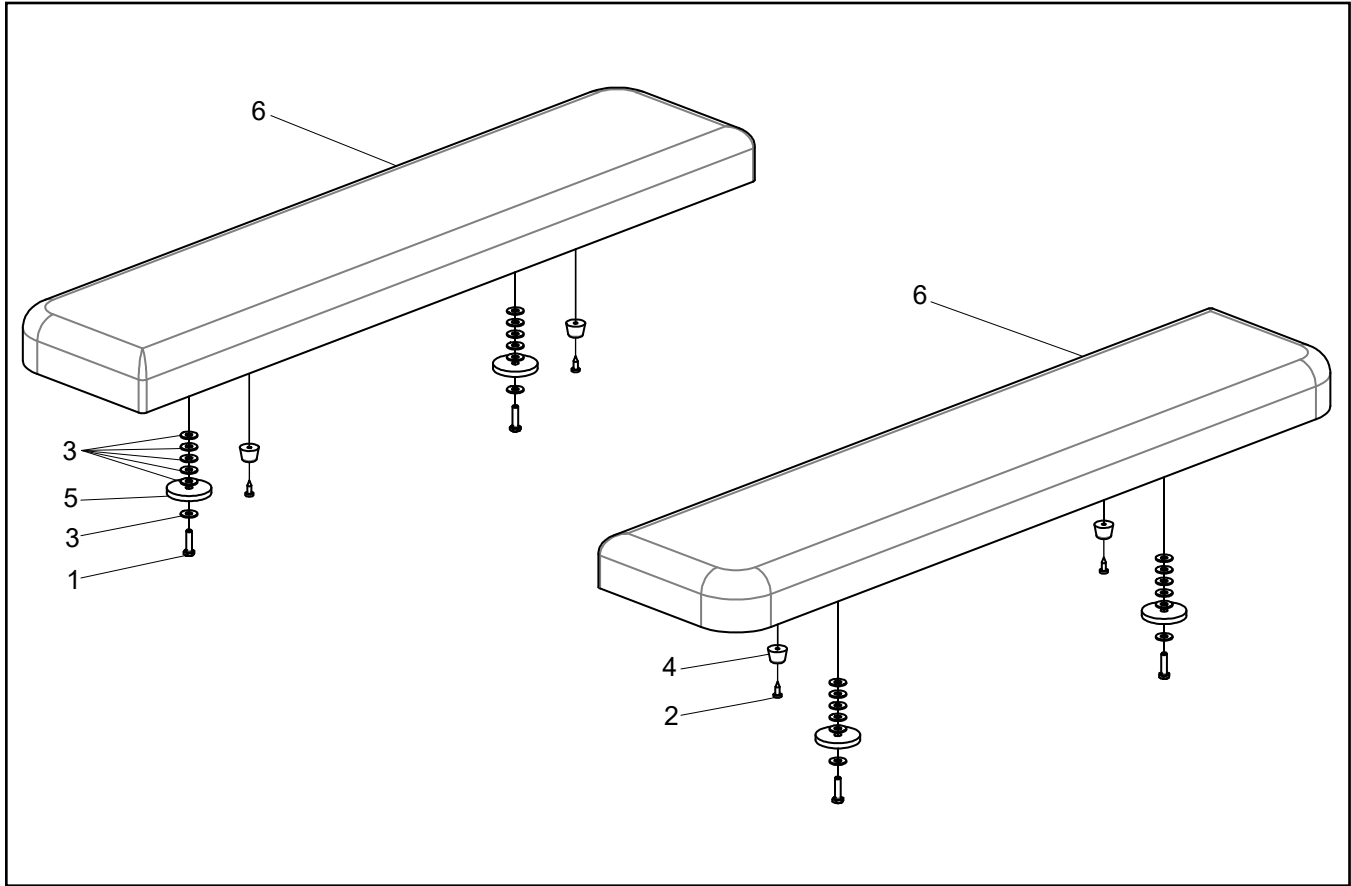


Ref.	Qty.	Part #	Description
1	4	108-03	Lockwasher 1/4 Hi-Collar Bare
2	2	108-08	Washer .28x.62x.07 Zn
3	4	108-24	Washer .34x.70x.06 Zn
4	4	112-04	HHCS 1/4-20x3/4 Gr5 Zn
5	4	112-27	HHCS 5/16-18x1.75 Gr5 Zn
6	6	120-04	Washer .19x.50x.08 Zn
7	6	120-09	Rivet - 3/16 x 1.0 Black
8	1	300-0094	Rear Seat Frame Weldment
9	1	300-0095	Brkt, Rear Seat Side Spprt - Left
10	1	300-0096	Brkt, Rear Seat Side Spprt - Right
11	2	10077A001	Pin, Clevis 5/16x1.25 Zn
12	4	10153A100	BHCS, 1/4-20-1 Gr5 Bnz
13	4	10156A045	BHCS, M6x1.0x45 Gr8.8 Bnz
14	2	10171A001	Pin, Hairpin Ø0.042 3/16-1/4 Shaft Zp
15	2	10171A002	Pin, Hairpin Ø0.093 1/4-5/16 Shaft Zp
16	1	10339C	Seat, Bench - Formed
17	1	10340C	Seat, Backrest - Formed
18	1	10341C	Tube, Backrest Frame
19	1	10403C	Rotary Latch - Right
20	1	10404C	Rotary Latch - Left
21	2	10406C	Pin, Rear Seat Popper
22	2	10407C	Spring, Compression - Rear Seat

10.1 Seat - Front

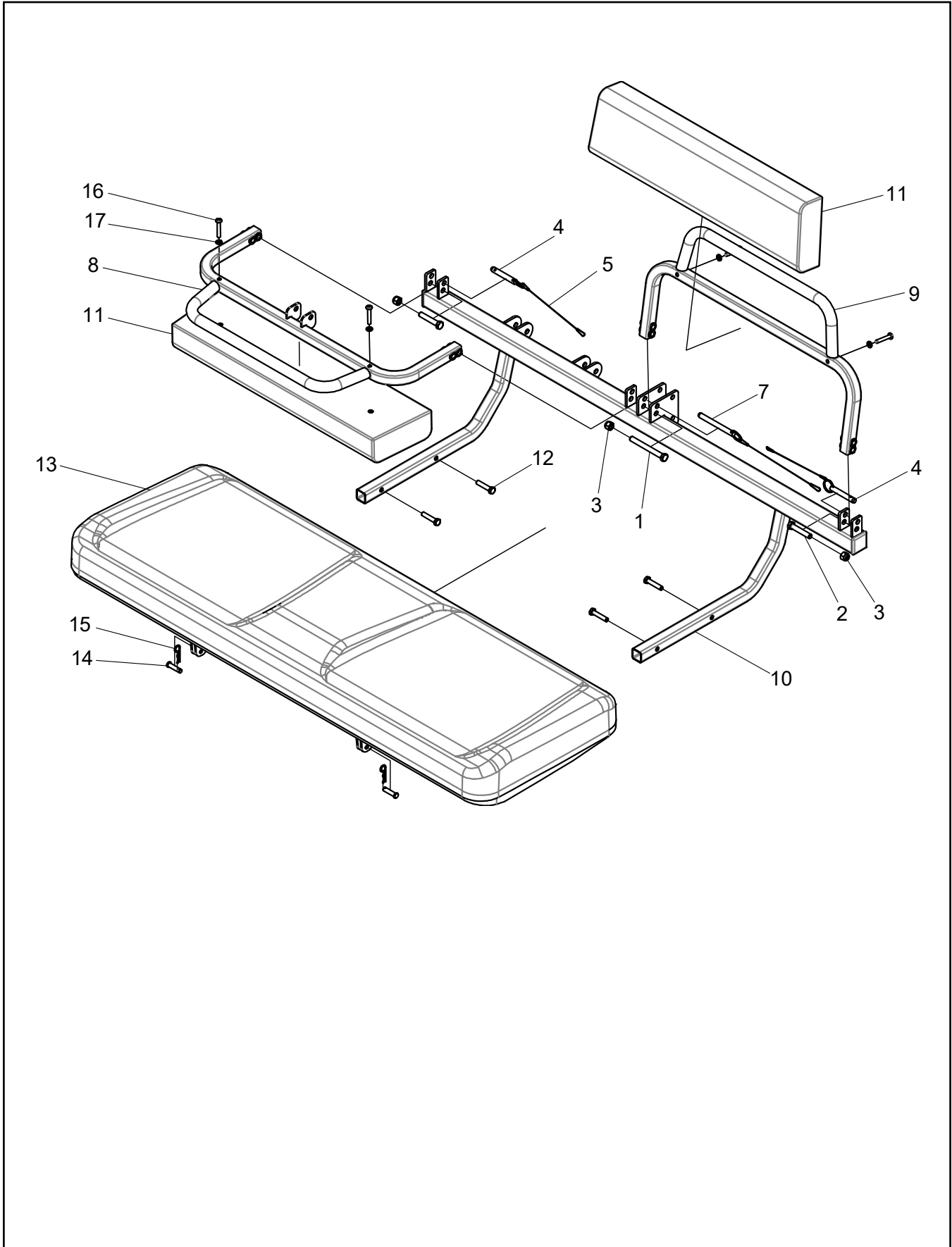


Ref.	Qty.	Part #	Description
1	4	103-57	HHCS 5/16-18x1.5 Gr5 Bnz
3	4	108-03	Lockwasher 1/4 Split Ring Zn
5	1	10339C	Seat, Bench - Formed
6	1	10340C	Seat, Backrest - Formed
10	2	10077A001	Pin, Clevis 5/16x1.25 Zn
11	4	10156A045	BHCS, M6x1.0x45 Gr8.8 Bnz
12	2	10171A002	Pin, Hairpin Ø0.093 1/4-5/16 Shaft ZP
13	1	300-0175	Tube Wldt, Backrest Frame
14	2	867-17	Plug, OD 7/8" ID 0.685"-Black

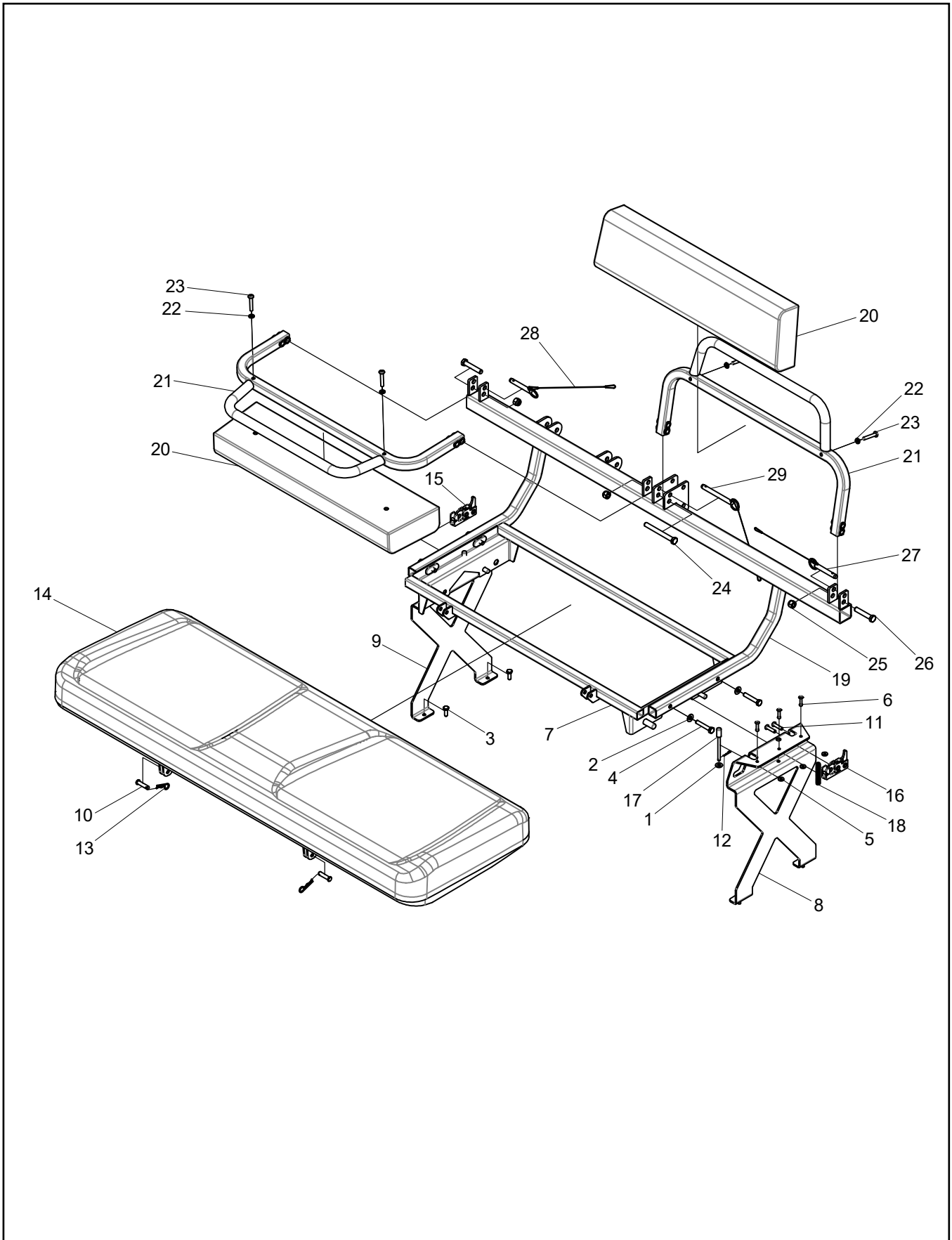


Ref.	Qty.	Part #	Description
1	4	103-08	HHCS 1/4-20x1.0 Gr5 Zn
2	4	103-48	T/S Pan Hd Phil #10x5/8 A BLK
3	24	108-25	Washer .31x.75x.06 Zn
4	4	126-79	Bumper, Plastic - Black
5	4	603-15	Washer, Plastic 5/16 Hole
6	2	700-0008	Seat Asm, Rear Side - 8x8

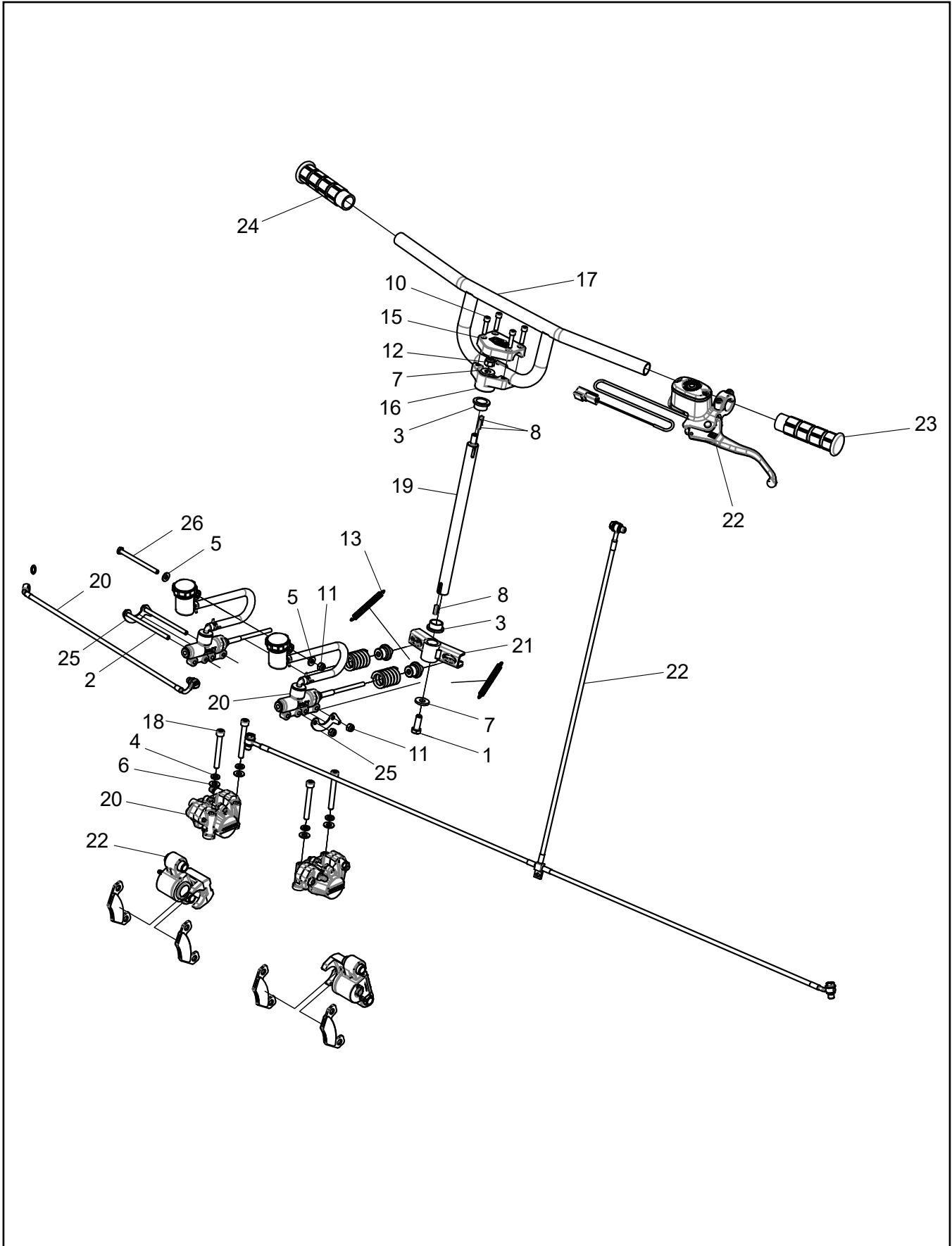
10.3 Front Seat - Responder



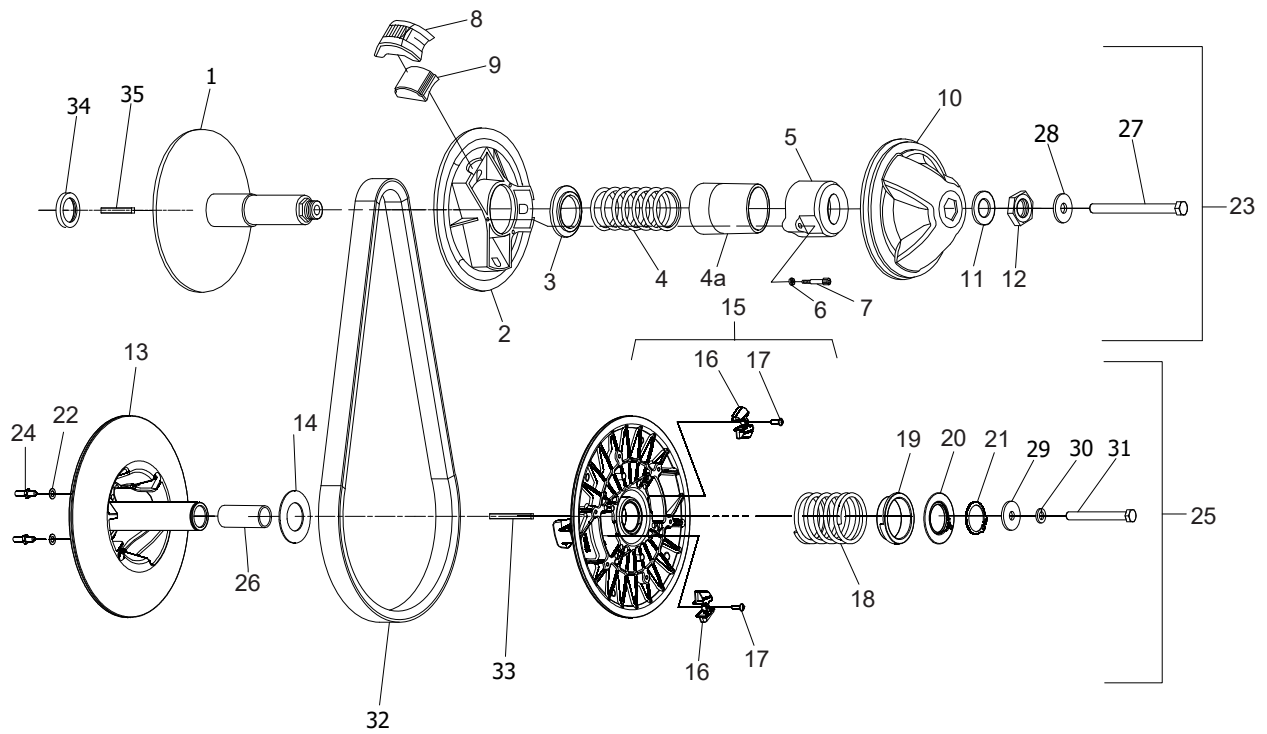
Ref.	Qty.	Part #	Description
1	1	112-164	HHCS 3/8-16x3.5 Gr5 Zn
2	2	103-68	HHCS 3/8-16x2.0 Gr5 Zn
3	3	117-29	Locknut, Nylon 3/8-16 BNZ
4	2	104-47	Pin, Quick-Release, 3/8 x 1.80
5	3	104-37	Lanyard, Nylon - 8"
6	2	127-278	Plug, 1 1/2" Sq Tube
7	1	200-0010-001	Quick Pin
8	1	300-0158	Backrest Wldt, Folding
9	1	300-0156	Backrest Wldt, Folding
10	1	300-0163	Seat Back Wldt, Attachment
11	2	900-0086	Backpad Asm, SAR
12	4	103-57	HHCS 5/16-18x1.5 Gr5 Zn
13	1	10339C	Seat, Bench - Formed
14	2	10077A001	Pin, Clevis 5/16x1.25 Zn
15	2	10171A002	Pin, Hairpin Ø0.093 1/4-5/16 Shaft ZP
16	4	103-03	PHMS 1/4-20x1.50 Zn
17	4	108-03	Lockwasher 1/4 Split Ring Zn



Ref.	Qty.	Part #	Description
1	2	108-08	Washer .28x.62x.07 Zn
2	4	108-24	Washer .34x.70x.06 Zn
3	4	112-04	HHCS 1/4-20x3/4 Gr5 Zn
4	4	112-27	HHCS 5/16-18x1.75 Gr5 Zn
5	6	120-04	Washer .19x.50x.08 Zn
6	6	120-09	Rivet - 3/16 x 1.0 Black
7	1	300-0094	Rear Seat Frame Weldment
8	1	300-0095	Brkt, Rear Seat Side Spprt - Left
9	1	300-0096	Brkt, Rear Seat Side Spprt - Right
10	2	10077A001	Pin, Clevis 5/16x1.25 Zn
11	4	10153A100	BHCS,1/4-20-1 Gr5 Bnz
12	2	10171A001	Pin, Hairpin Ø0.042 3/16-1/4 Shaft Zp
13	2	10171A002	Pin, Hairpin Ø0.093 1/4-5/16 Shaft Zp
14	1	10339C	Seat, Bench - Formed
15	1	10403C	Rotary Latch - Right
16	1	10404C	Rotary Latch - Left
17	2	10406C	Pin, Rear Seat Popper
18	2	10407C	Spring, Compression - Rear Seat
19	1	300-0163	Seat Back Wldt, Attachment
20	2	900-0086	Backpad Asm, Sar
21	2	300-0156	Backrest Wldt, Folding
22	4	108-03	Lockwasher 1/4 Split Ring Zn
23	4	103-03	PHMS 1/4-20x1.50 Zn
24	1	112-164	HHCS 3/8-16x3.5 Gr5 Zn
25	3	117-29	Locknut, Nylon 3/8-16 Bnz
26	2	103-68	HHCS 3/8-16x2.0 Gr5 Zn
27	2	104-47	Pin, Quick-Release, 3/8 x 1.80
28	3	104-37	Lanyard, Nylon - 8"
29	1	200-0010-001	Quick Pin



Ref.	Qty.	Part #	Description
1	1	103-17	HHCS 3/8-16x1.0 Gr5 Bnz
2	2	103-66	HHCS 1/4-20x4.0 Gr5 Zn
3	2	105-16	Bushing, Oilite - 3/4 x 1/2
4	4	108-05	Lockwasher 5/16 Split-Ring Bnz
5	2	108-08	Washer .28x.62x.07 Zn
6	4	108-24	Washer .34x.70x.06 Zn
7	2	108-47	Washer .39x.94x.13 Zn Di-Chro
8	3	110-17	Key, 3/16 x 3/16 x .625
10	4	112-47	SHCS 1/4-20x1.0 Zn
11	3	117-27	Locknut, Nylon 1/4-20 Zn
12	1	117-29	Locknut, Nylon 3/8-16 Bnz
13	2	127-194	Spring, Ext .360 x 3.0
15	1	612-105RM	Clamp, Upper Handlebar-RM
16	1	612-106	Clamp, Lower Handlebar
17	1	612-107	Handlebar Asm
18	4	10103A065	SHCS, M8x1.25x65 Gr12.9 Zn
19	1	10311C	Shaft, Steering
20	2	10376C	Steering Brake Assembly, Admiral
21	1	10379C	Steering Arm
22	1	800-0010	Line, Service Brake
23	1	10507C	Handle Bar Grip, Left
24	1	10508C	Handle Bar Grip, Right
25	2	300-0256	Bracket, Spring Retainer
26	1	103-111	HHCS 1/4-20x3.5 Zn



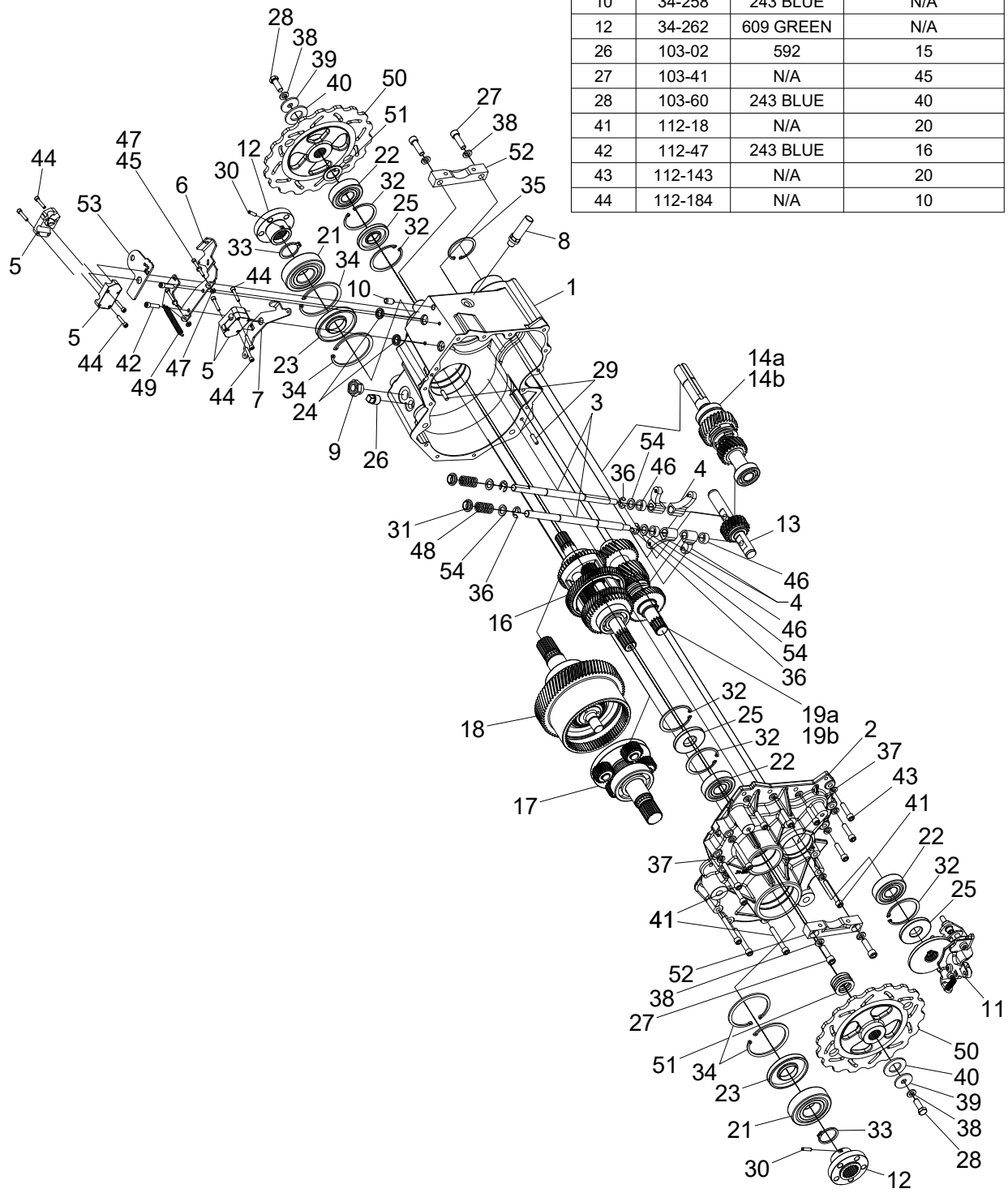
* Note: For High Elevation Operation (above 3000 ft) see Bulletin NP #5 regarding Clutch Weight Sets.

Ref.	Qty.	Part #	Description
1	1	0405-0138	Flange, Fixed
2	1	0410-0033	Flange, Sliding
3	1	0150-1014	Spring Guide Washer
4	1	1151-1114	Spring
4a	1	0450-3002	Guide, Spring
5	1	0440-0005	Spring Cover
6	3	0080-0167	Lockwasher
7	3	0080-0021	Screw, Cap
8	3	0130-3012	Block
9	3	0135-3061	Weight (230gr) - 33HP
	3	0135-2088	Weight (310gr) - 40HP
	3	0135-3065	Weight (275gr)
	1	127-208	Weight Set (3), 185g - High Elevation (*See Note)
	1	127-209	Weight Set (3), 220g - High Elevation (*See Note)
	1	127-210	Weight Set (3), 240g - High Elevation (*See Note)
10	1	0115-2061	Cap
11	1	0080-0804	Washer, Zn
12	1	V16J1	Nut
13	1	5905-0003	Flange, Fixed
14	1	0080-0164	Washer, Shim
15	1	5910-0002	Flange, Sliding
16	3	5930-3001	Cam Shoe
17	2	0080-0031	Screw
18	1	5951-1009	Spring
19	1	5950-3003	Spring Protector
20	1	5950-3002	Spring Support
21	1	0080-0216	Retaining Ring, Outside
22	2	0080-0167	Lockwasher
23	1	610-128	Clutch, Driver - 33 HP
	1	10715C	Clutch, Driver - 40 HP
24	2	0080-0035	Screw & Nut Ass'y
25	1	127-156	Clutch, Driven - In Vance
26	1	5940-2001	Keyway Stopper
27	1	112-160	HHCS 7/16-20x5.0 Lg
28	1	108-58	Washer .156x.375x.047 Zn
29	1	108-46	Washer .40x1.37x.12 Hi-Carbon
30	1	108-06	Lockwasher 3/8 Split-Ring Bnz
31	1	112-164	HHCS 3/8-16x3.5 Gr5 Zn
32	1	127-159HD	Drive Belt - 31 x 1134 - Heavy Duty
	or	127-159	Drive Belt - 29.6 x 1116
33	1	110-03	Key 1/4x3/16x2.375 RC46
34	1	108-84	Washer, Engine, Clutch
35	1	110-18	Key, 1/4 x 1/4 x 1 3/4 45RC

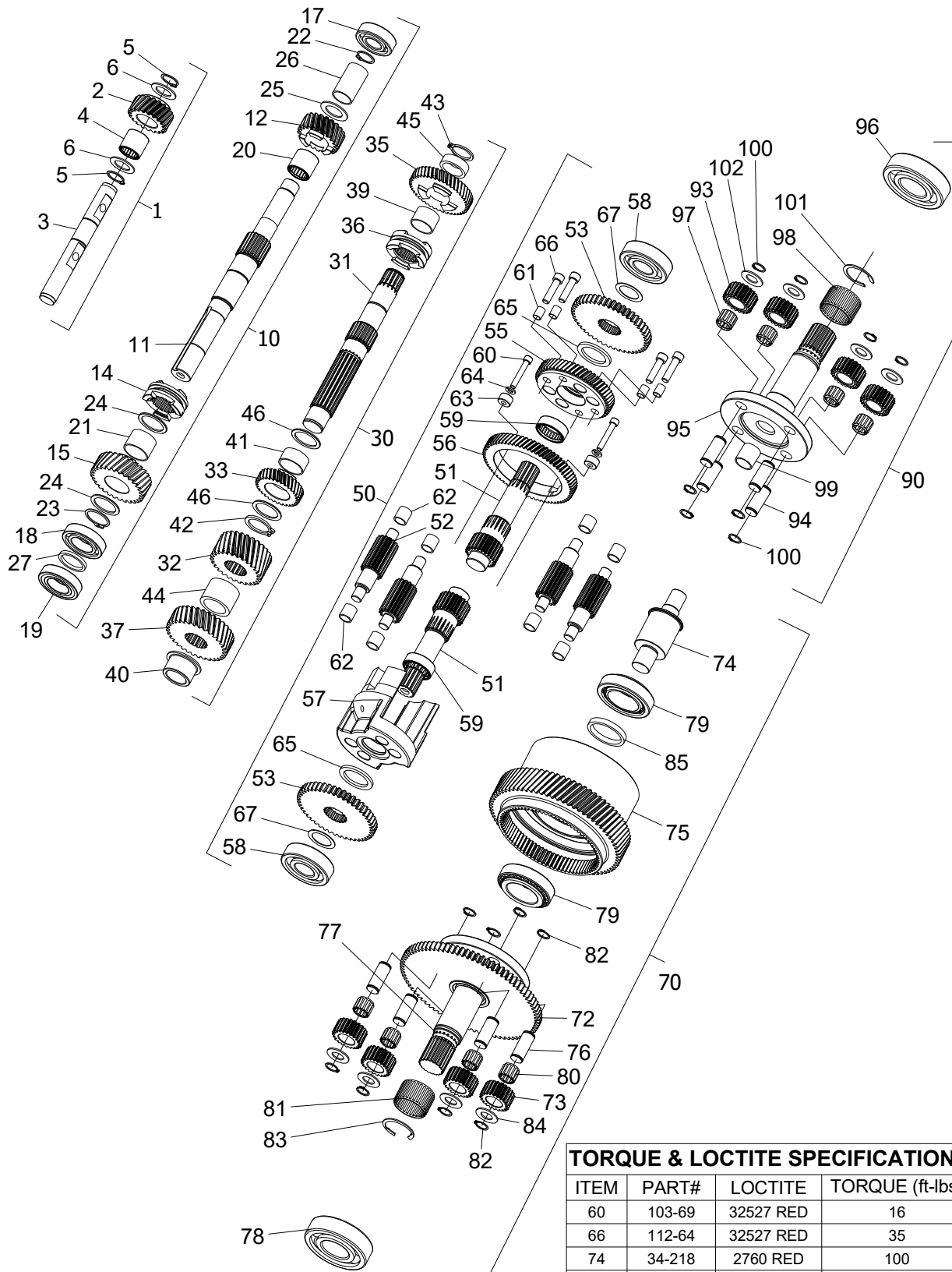
Transmission, Cable FNR - 6.2
13.0 Transmission, Cable FNR - 8.1

TORQUE & LOCTITE SPECIFICATIONS

ITEM	PART#	LOCTITE	TORQUE (ft-lbs)
10	34-258	243 BLUE	N/A
12	34-262	609 GREEN	N/A
26	103-02	592	15
27	103-41	N/A	45
28	103-60	243 BLUE	40
41	112-18	N/A	20
42	112-47	243 BLUE	16
43	112-143	N/A	20
44	112-184	N/A	10



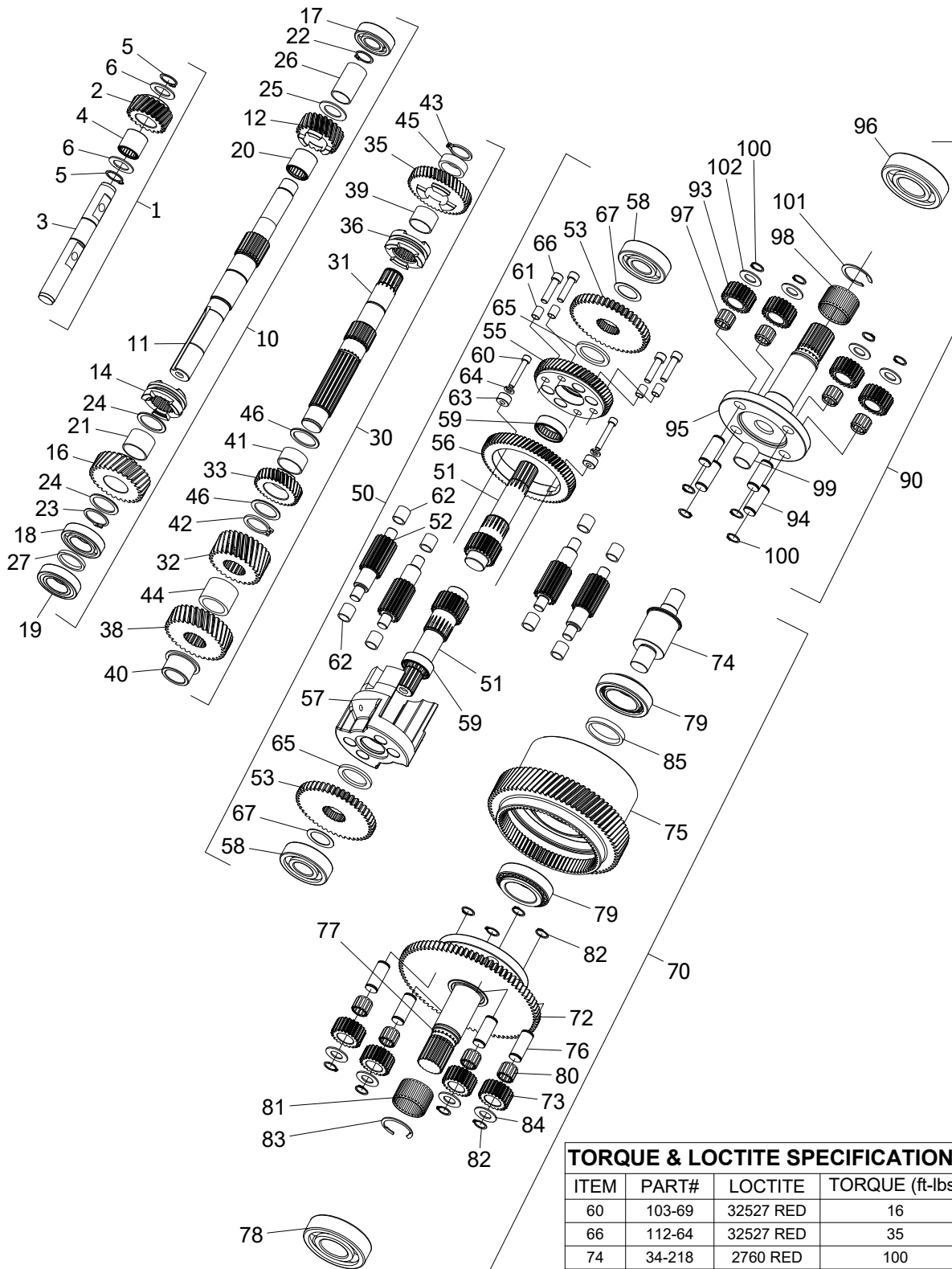
Ref.	Qty. (6.2)	Qty. (8.1)	Part #	Description
1	1	1	34-227	Housing, Transmission
2	1	1	34-228	Cover, Transmission
3	2	2	34-231	Shaft, Shift - F-N-R
4	4	4	34-232	Fork, Shift - Half
5	4	4	34-236	Clamp, Lever Shaft
6	1	1	34-241	Bracket, Switch, Spring Mount
7	1	1	34-242	Bracket, Spring Mount
8	1	1	34-245	Plug, Fill/Vent 1/4 BSSP
9	1	1	34-251	Sight Glass, Aluminum, 1/2 BSP
10	1	1	34-258	Plunger, Ball-Nose Spring
11	1	1	34-261	Brake, Caliper Asy
12	2	2	34-262	Coupler, Output Shaft, Pinned
13	1	1	34-290	Asm, Reverse Shaft-Adm
14A	1	0	34-291-6.4	Asm, Input Shaft - Adm
14B	0	1	34-291-8.4	Asm, Input Shaft - Adm
16	1	1	34-292	Asm, Differential - Adm
17	1	1	34-293	Asm, Output Shaft RH - Adm
18	1	1	34-294	Asm, Output Shaft LH - Adm
19A	1	0	34-295-6.4	Asm, Idler Shaft - Adm
19B	0	1	34-295-8.4	Asm, Idler Shaft - Adm
21	2	2	101-81	Bearing, Ball 6307 Zze
22	3	3	101-86	Bearing, Ball 6305 Zz
23	2	2	102-33	Seal, Oil 35x80x10
24	2	2	102-36	Seal, Shift Shaft - 0.5x.75x.125
25	3	3	102-37	Seal, Oil 25x62x7
26	1	1	103-02	Plug, Magnetic 3/8-18NPT Sq.Hd
27	4	4	103-41	SHCS 3/8-16x1.25 Zn
28	2	2	103-60	HHCS 3/8-24 x 1 Gr5
29	2	2	104-03	Pin, Dowel 1/4x7/8
30	2	2	104-75	Pin, Spring, 3/16X13/16 Zn
31	2	2	105-33	Bushing, Flange
32	5	5	106-05	Retaining Ring HO-244-PA
33	2	2	106-23	Retaining Ring SHR-0137-PA
34	4	4	106-24	Retaining Ring H0-312-PA
35	1	1	106-26	Retaining Ring H0-206-PA
36	4	4	106-30	Retaining Ring E-0050 E
37	10	10	108-05	Lockwasher 5/16 Split-Ring Zn
38	6	6	108-06	Lockwasher 3/8 Split-Ring Zn
39	2	2	108-18	Washer .40x1.37x.12 Zn
40	2	2	108-72	Washer .94x1.75x.125 Zn
41	7	7	112-18	SHCS 5/16-18x2.25
42	2	2	112-47	SHCS 1/4-20x1.0 Zn
43	6	6	112-143	SHCS 5/16x1.25 Zn
44	8	8	112-184	SHCS, 10-32x1
45	2	2	112-195	SHCS 8-32 x 1.5 Stainless
46	3	3	114-21	Spacer, .51x.75x.36
47	4	4	117-92	Nut, Hex Machine #8-32 Zn
48	2	2	127-186	Spring, Comp. 0.70x1.28
49	1	1	127-194	Spring, Ext .360 x 3.0
50	2	2	165-22	Disc, Brake
51	2	2	10174A	Shim, Round Imperial
52	2	2	10307C	Mount, Brake Caliper
53	1	1	10532C	Plate, Detent - Shifter
54	4	4	12731594	Washer, Flat 13,0 x 20,0 x 2,0



TORQUE & LOCTITE SPECIFICATIONS

ITEM	PART#	LOCTITE	TORQUE (ft-lbs)
60	103-69	32527 RED	16
66	112-64	32527 RED	35
74	34-218	2760 RED	100
94	34-225	609 GREEN	N/A

Ref.	Qty.	Part #	Description	Ref.	Qty.	Part #	Description
1	1	34-290	Asm, Reverse Shaft - Adm. includes:	61	4	105-23	Bushing, Dowel - .312 x .5
2	1	34-220	Pinion, Idler - 20T	62	8	105-27	Bushing, Oilite .5x.625x.625
3	1	34-221	Shaft, Shift - Reverse	63	2	105-28	Bushing, Dowel .26x.625x.36
4	1	101-87	Bearing, Needle HMK20x27x25	64	2	108-03	Lockwasher 1/4 Split Ring Zn
5	2	106-25	Retaining Ring SH-0078-PA	65	2	108-94	Washer, Thrust 1.25x1.688 x.125
6	2	108-99	Washer, Thrust .79x1.25x.06	66	4	112-64	SHCS 5/16-18x1.25
10	1	34-291-6.4	Asm, Input Shaft includes:	67	2	114-16	Washer, Shim.99x1.375x.030
11	1	34-213	Shaft, Input	70	1	34-294-HS	Asm, Output Shaft LH-Adm. includes:
12	1	34-214	Pinion, Reverse - 21T, 12DP	72	1	34-207-HS	Gear, Sun - 84T, 35T
14	1	34-224	Collar, Shift, For-Rev	73	4	34-217	Gear, Planet - 21T
15	1	34-247	Pinion, Forward - 29T, 12DP	74	1	34-218	Shaft, Planetary Stub
17	1	101-01	Bearing, Ball 6204Z-C3	75	1	34-219	Hub, Planetary, 73T, 79T
18	1	101-88	Bearing, Ball 60/28	76	4	34-225	Pin, Planet Carrier
19	1	101-89	Bearing, Ball 60/28 LLU	77	1	34-263	Carrier Shaft, Grooved LH
20	1	101-90	Bearing, Needle HK2220	78	1	101-73	Bearing, Ball 6307 CL.N.
21	1	105-32	Bushing, Bronze 1.125x1.25x.875	79	2	101-76	Bearing, Taperd Roller 32008X
22	1	106-25	Retaining Ring SH-0078-PA	80	4	101-82	Bearing, Needle K15x21x17
23	1	106-27	Retaining Ring SH-112-PA	81	1	101-83	Bearing, Needle KJ37x42x27S
24	2	108-98	Washer, Thrust 1.13x1.46x.062	82	8	106-22	Retaining Ring SH-0056-PA
25	1	114-17	Washer, Thrust .866x1.38x.062	83	1	106-31	Retaining Ring C-0137
26	1	114-18	Spacer, .870x1.0x1.68	84	4	108-93	Washer, .59x1.10x.06
27	1	114-19	Spacer, 1.12x1.375x.148	85	1	114-22	Spacer, 1.585x1.75x.245
30	1	34-295-6.4	Asm, Idler Shaft includes:	90	1	34-293-HS	Asm, Output Shaft RH - Adm. includes:
31	1	34-208	Shaft, Idler	92	1	34-207-HS	Gear, Sun - 84T, 35T
32	1	34-209	Pinion, Helical - 27T 12 DP	93	4	34-217	Gear, Planet - 21T
33	1	34-210	Pinion, Helical - 31T	94	4	34-225	Pin, Planet Carrier
35	1	34-212	Pinion, Helical - 45T	95	1	34-264	Carrier Shaft, Grooved RH
36	1	34-223	Collar, Shift, Hi-Low	96	1	101-73	Bearing, Ball 6307 CL.N.
37	1	34-246	Gear, Helical - 33T	97	4	101-82	Bearing, Needle K15x21x17
39	1	105-29	Bushing, Oilite 1.0x1.125x.75	98	1	101-83	Bearing, Needle KJ37x42x27S
40	1	105-30	Bushing, Flanged 1x1.375	99	1	105-26	Bushing, Oilite .75x.875x.875
41	1	105-31	Bushing, Bronze 1.125x1.25x.62	100	8	106-22	Retaining Ring SH-0056-PA
42	1	106-28	Retaining Ring SHR-0112-PA	101	1	106-31	Retaining Ring C-0137
43	1	107-15	Retaining Ring SHR-98-PA	102	4	108-93	Washer, .59 x 1.10 x .060
44	1	108-96	Spacer, 1.125x1.5x1.083				
45	1	108-97	Spacer, 1.01x1.3x.409				
46	2	108-98	Washer, Thrust 1.13x1.46x.062				
50	1	34-292-HS	Asm, Differential - Adm. includes:				
51	2	34-201	Gear, Planet - 15T				
52	4	34-202	Shaft, Brake				
53	2	34-203	Pinion, Spur - 46T				
54	2	34-203-HS	Pinion, Spur - 43T				
55	1	34-204	Gear, Helical - 55T				
56	1	34-205	Gear, Helical - 67T				
57	1	34-206	Cage, Differential				
58	2	101-40	Bearing, Ball 6305 Open				
59	2	101-84	Bearing, Needle HK3012				
60	2	103-69	SHCS 1/4-20x1.5 Zn				

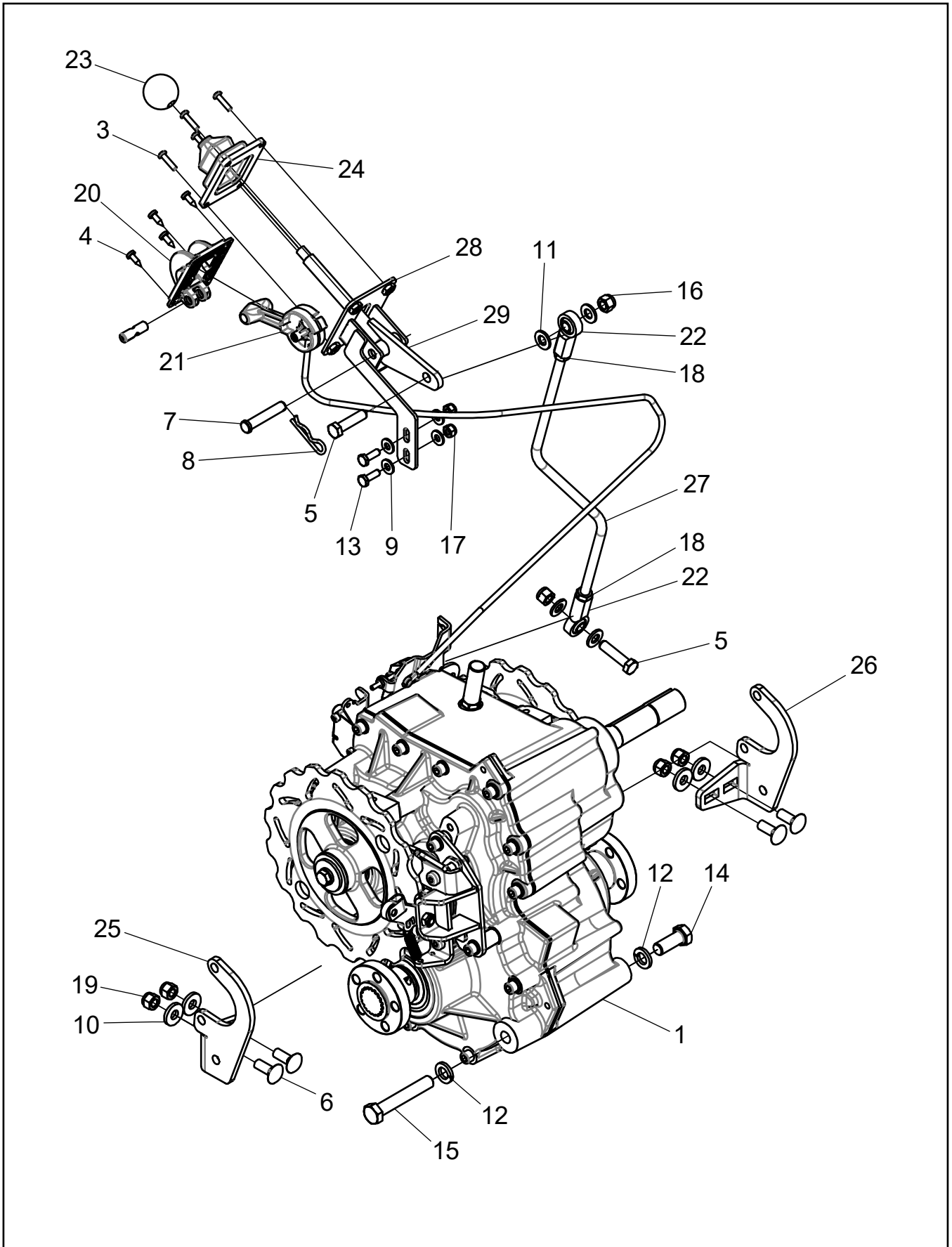


TORQUE & LOCTITE SPECIFICATIONS

ITEM	PART#	LOCTITE	TORQUE (ft-lbs)
60	103-69	32527 RED	16
66	112-64	32527 RED	35
74	34-218	2760 RED	100
94	34-225	609 GREEN	N/A

Ref.	Qty.	Part #	Description	Ref.	Qty.	Part #	Description
1	1	34-290	Asm, Reverse Shaft - Adm. includes:	62	8	105-27	Bushing, Oilite .5x.625x.625
2	1	34-220	Pinion, Idler - 20T	63	2	105-28	Bushing, Dowel .26x.625x.36
3	1	34-221	Shaft, Shift - Reverse	64	2	108-03	Lockwasher 1/4 Split Ring Zn
4	1	101-87	Bearing, Needle HMK20x27x25	65	2	108-94	Washer, Thrust 1.25x1.688 x.125
5	2	106-25	Retaining Ring SH-0078-PA	66	4	112-64	SHCS 5/16-18x1.25
6	2	108-99	Washer, Thrust .79x1.25x.06	67	2	114-16	Washer, Shim.99x1.375x.030
10	1	34-291-8.4	Asm, Input Shaft includes:	70	1	34-294-HS	Asm, Output Shaft LH-Adm. includes:
11	1	34-213	Shaft, Input	72	1	34-207-HS	Gear, Sun - 84T, 35T
12	1	34-214	Pinion, Reverse - 21T, 12DP	73	4	34-217	Gear, Planet - 21T
14	1	34-224	Collar, Shift, For-Rev	74	1	34-218	Shaft, Planetary Stub
16	1	34-249	Pinion, Forward - 25T, 12DP	75	1	34-219	Hub, Planetary, 73T, 79T
17	1	101-01	Bearing, Ball 6204Z-C3	76	4	34-225	Pin, Planet Carrier
18	1	101-88	Bearing, Ball 60/28	77	1	34-263	Carrier Shaft, Grooved LH
19	1	101-89	Bearing, Ball 60/28 LLU	78	1	101-73	Bearing, Ball 6307 CL.N.
20	1	101-90	Bearing, Needle HK2220	79	2	101-76	Bearing, Taperd Roller 32008X
21	1	105-32	Bushing, Bronze 1.125x1.25x.875	80	4	101-82	Bearing, Needle K15x21x17
22	1	106-25	Retaining Ring SH-0078-PA	81	1	101-83	Bearing, Needle KJ37x42x27S
23	1	106-27	Retaining Ring SH-112-PA	82	8	106-22	Retaining Ring SH-0056-PA
24	2	108-98	Washer, Thrust 1.13x1.46x.062	83	1	106-31	Retaining Ring C-0137
25	1	114-17	Washer, Thrust .866x1.38x.062	84	4	108-93	Washer, .59x1.10x.06
26	1	114-18	Spacer, .870x1.0x1.68	85	1	114-22	Spacer, 1.585x1.75x.245
27	1	114-19	Spacer, 1.12x1.375x.148	90	1	34-293-HS	Asm, Output Shaft RH - Adm. includes:
30	1	34-295-8.4	Asm, Idler Shaft includes:	92	1	34-207-HS	Gear, Sun - 84T, 35T
31	1	34-208	Shaft, Idler	93	4	34-217	Gear, Planet - 21T
32	1	34-209	Pinion, Helical - 27T 12 DP	94	4	34-225	Pin, Planet Carrier
33	1	34-210	Pinion, Helical - 31T	95	1	34-264	Carrier Shaft, Grooved RH
35	1	34-212	Pinion, Helical - 45T	96	1	101-73	Bearing, Ball 6307 CL.N.
36	1	34-223	Collar, Shift, Hi-Low	97	4	101-82	Bearing, Needle K15x21x17
38	1	34-248	Gear, Helical - 37T	98	1	101-83	Bearing, Needle KJ37x42x27S
39	1	105-29	Bushing, Oilite 1.0x1.125x.75	99	1	105-26	Bushing, Oilite .75x.875x.875
40	1	105-30	Bushing, Flanged 1x1.375	100	8	106-22	Retaining Ring SH-0056-PA
41	1	105-31	Bushing, Bronze 1.125x1.25x.62	101	1	106-31	Retaining Ring C-0137
42	1	106-28	Retaining Ring SHR-0112-PA	102	4	108-93	Washer, .59 x 1.10 x .060
43	1	107-15	Retaining Ring SHR-98-PA				
44	1	108-96	Spacer, 1.125x1.5x1.083				
45	1	108-97	Spacer, 1.01x1.3x.409				
46	2	108-98	Washer, Thrust 1.13x1.46x.062				
50	1	34-292-HS	Asm, Differential - Adm. includes:				
51	2	34-201	Gear, Planet - 15T				
52	4	34-202	Shaft, Brake				
53	2	34-203	Pinion, Spur - 46T				
54	2	34-203-HS	Pinion, Spur - 43T				
55	1	34-204	Gear, Helical - 55T				
56	1	34-205	Gear, Helical - 67T				
57	1	34-206	Cage, Differential				
58	2	101-40	Bearing, Ball 6305 Open				
59	2	101-84	Bearing, Needle HK3012				
60	2	103-69	SHCS 1/4-20x1.5 Zn				
61	4	105-23	Bushing, Dowel - .312 x .5				

Transmission & Controls Group - Admiral (6.2)
13.3 Transmission & Controls Group - Admiral (8.1) Aurora Parts Manual

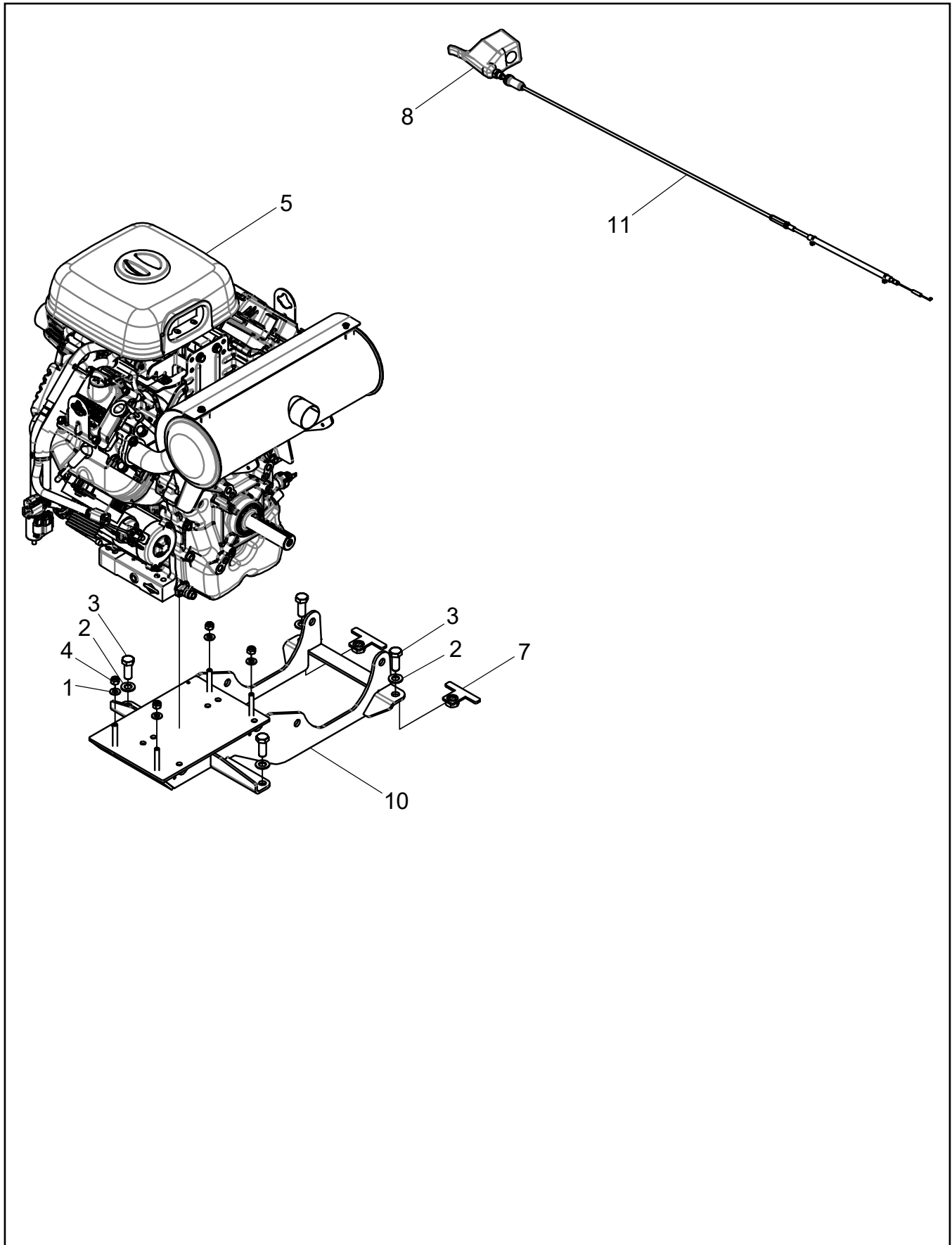


Transmission & Controls Group - Admiral (6.2)

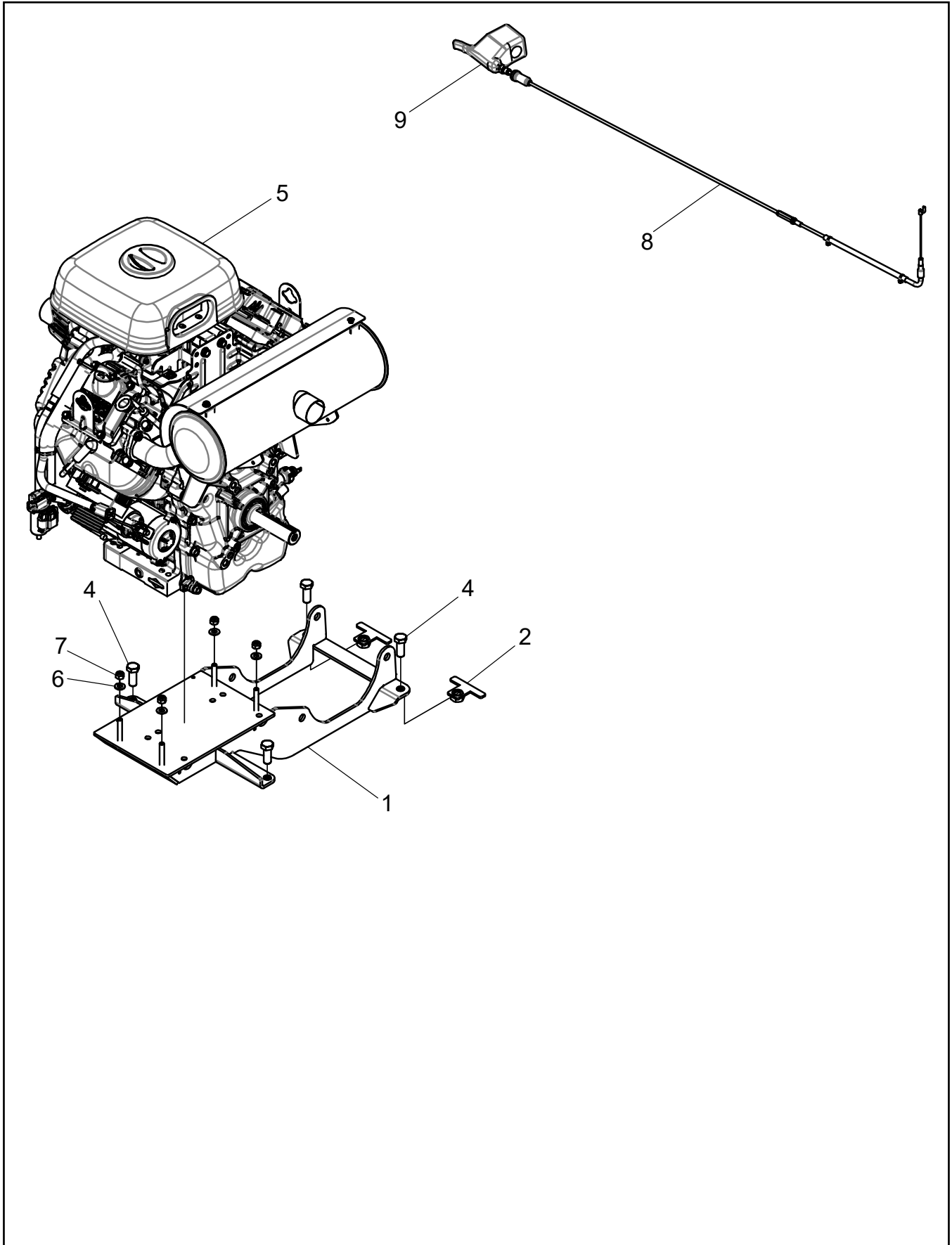
Aurora Parts Manual

13.3 Transmission & Controls Group - Admiral (8.1)

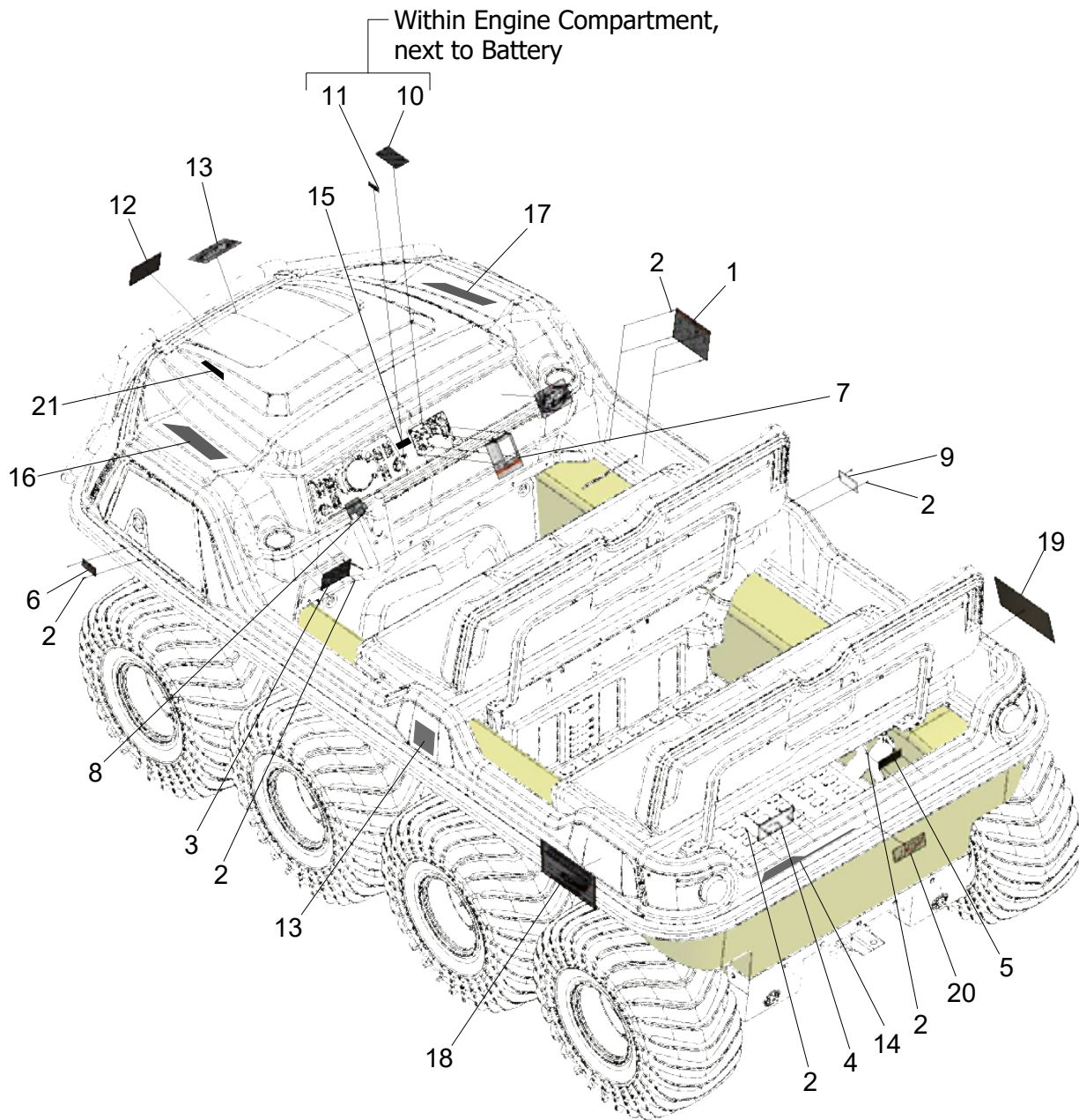
Ref.	Qty.	Part #	Description
1	1	34-200-AR1	Transmission, Cable FNR - 6.2
2	1	34-200-AR2	Transmission, Cable FNR - 8.1
3	4	103-25	PHMS 10-24x3/4 Zn
4	4	103-48	T/S Pan HD Phil #10x5/8 A BLK
5	2	103-82	HHCS 3/8-16x1.5 Gr5 Zn
6	4	103-88	C/Bolt 3/8-16x1.0 Gr5 Zn
7	1	104-46	Pin, Clevis, 3/8x2, Zn
8	1	104-68	Hairpin, Cotter 1/2-3/4 Dia
9	4	108-08	Washer .28x.62x.07 Zn
10	10	108-47	Washer .39x.94x.13 Zn Di-Chro
11	4	108-101	Washer, 0.41x0.79x0.08, Zn
12	4	108-107	Lockwasher 1/2 Split-Ring Zn
13	2	112-04	HHCS 1/4-20x3/4 Gr5 Zn
14	2	112-189	HHCS 1/2-13x1.25 Gr5 Zn
15	2	112-190	HHCS 1/2-13x3.00 Gr5 Zn
16	2	117-24	Locknut, Nylon 3/8-24 Zn
17	3	117-27	Locknut, Nylon 1/4-20 Zn
18	2	117-68	Nut, Jam 3/8-24Unf, Zn
19	4	117-128	Locknut, Nylon 3/8-16 ZP
20	1	127-211	Bracket, Hi-Lo Shifter
21	1	127-212	Pivot, Hi-Lo Shifter
22	2	200-0000-003	Rod End, Female - 3/8-24
23	1	10230C	Knob - Shifter
24	1	10244C	Boot - Dash Shift
25	1	10335C	Brkt, Caliper HD RH
26	1	10336C	Brkt, Caliper HD LH
27	1	10531C	Shaft, Shifter Linkage
28	1	10534C	Wldt, Shifter Gate
29	1	10535C	Wldt, Shift Lever
30	1	127-195	Spring, Ext .75 x 2.73
31	1	10119B	Switch, Micro Roller Lever Long
32	2	112-172	SHCS 5-40x3/4 Zn
33	2	112-173	Locknut, #5-40, Zn
34	1	809-147	Lever, Parking Brake
35	2	108-05	Lockwasher 5/16 Split-Ring Bnz
37	1	800-0009	Cable, Parking Brake - Dash
39	1	117-127	Locknut, Nylon 5/16-18 ZP
40	1	103-08	HHCS 1/4-20x1.0 Gr5 Zn
41	1	700-0067	Boot, Parking Brake Handle
42	6	120-13	Rivet - 3/16 x 3/4 Black
43	1	500-0002	Toggle, Shift Cable
44	1	500-0001	Cable, Shift
45	3	103-38	HHCS 5/16-18x1.25 Gr5 Zn



Ref.	Qty.	Part #	Description
1	4	108-24	Washer .34x.70x.06 Zn
2	4	108-103	Washer, 0.51x0.94x0.10, Zn
3	4	112-189	HHCS 1/2-13x1.25 Gr5 Zn
4	4	117-127	Locknut, Nylon 5/16-18 ZP
5	1	400-0007	Engine, B&S 54E1
6	1	600-0012	Harness, 33HP Briggs
7	2	10255C	Wldt, Powerpack Nut
8	1	10509C	Throttle, Finger
10	1	10717C	Engine Mount Assy - Briggs BB
11	1	10040C	Cable - Throttle



Ref.	Qty.	Part #	Description
1	1	10717C	Engine Mount Assy - Briggs BB
2	2	10255C	Wldt, Powerpack Nut
3	4	108-03	Lockwasher 1/4 Split Ring Zn
4	4	112-189	HHCS 1/2-13x1.25 Gr5 Zn
5	1	10050C	Engine, B&S 40
6	4	108-24	Washer .34x.70x.06 Zn
7	4	117-127	Locknut, Nylon 5/16-18 ZP
8	1	10629C	Throttle Cable, B&S BB
9	1	10509C	Throttle, Finger
10	1	10581C	Engine Harness, Briggs BB



Ref.	Qty.	Part #	Description	Ref.	Qty.	Part #	Description
1	1	126-68	Plate, Operation				Aurora 850 SX-R
2	18	120-24	Rivet, Alum - 3/32 x 3/8 Black	12	2	10503C	Decal, Sheild Domed
3	1	129-08	Plate, Pin - Blank	13	2	10610C	Decal, Argo Shield - Flat
4	1	129-09	Plate, Capacity - Blank	14	1	700-0014	Decal, Aurora - Rear
5	1	126-67	Plate, Floor Pan	15	1	700-0023	Decal, Aps - 3.00 x 0.88
6	1	10547C	Label, Warning Hot	16	1	700-0015	Decal, Aurora - Left Upper
7	1	10550C	Label, FNR Shifter	17	1	700-0017	Decal, Aurora Hood Lower - RH
8	1	10549C	Label, Ignition	18	1	700-0027	Decal, Aurora - Left Side
9	1	10548C	Label, Fuel	19	1	700-0016	Decal, Aurora - Right Side
10	1	10579C	Label, Fuse Panel	20	1	700-0020	Decal, Argo Text - 5.50 x 2.00
11	1	10585C	Label, Secondary Fuse Panel	21	2	700-0036	Decal, Hood - 850 LTD 8x8
			Aurora 850 SX				Aurora 950 SX
12	2	10503C	Decal, Sheild Domed	12	2	10503C	Decal, Sheild Domed
13	2	10610C	Decal, Argo Shield - Flat	13	2	10610C	Decal, Argo Shield - Flat
14	1	700-0014	Decal, Aurora - Rear	14	1	700-0014	Decal, Aurora - Rear
15	1	700-0023	Decal, Aps - 3.00 x 0.88	15	1	700-0023	Decal, Aps - 3.00 x 0.88
16	1	700-0015	Decal, Aurora - Left Upper	16	1	700-0015	Decal, Aurora - Left Upper
17	1	700-0017	Decal, Aurora Hood Lower - RH	17	1	700-0017	Decal, Aurora Hood Lower - RH
18	1	700-0027	Decal, Aurora - Left Side	18	1	700-0027	Decal, Aurora - Left Side
19	1	700-0016	Decal, Aurora - Right Side	19	1	700-0016	Decal, Aurora - Right Side
20	1	700-0020	Decal, Argo Text - 5.50 x 2.00	20	1	700-0020	Decal, Argo Text - 5.50 x 2.00
21	2	700-0033	Decal, Hood - 850 SX 8x8	21	2	700-0037	Decal, Hood - 950 SX 8x8
			Aurora 850 SX Hunt Master				Aurora 950 SX Hunt Master
12	1	10503C	Decal, Sheild Domed	12	1	10503C	Decal, Sheild Domed
13	3	10610C	Decal, Argo Shield - Flat	13	3	10610C	Decal, Argo Shield - Flat
14	1	700-0014	Decal, Aurora - Rear	14	1	700-0014	Decal, Aurora - Rear
15	1	700-0023	Decal, Aps - 3.00 x 0.88	15	1	700-0023	Decal, Aps - 3.00 x 0.88
16	1	700-0015	Decal, Aurora - Left Upper	16	1	700-0015	Decal, Aurora - Left Upper
17	1	700-0017	Decal, Aurora Hood Lower - RH	17	1	700-0017	Decal, Aurora Hood Lower - RH
18	1	700-0027	Decal, Aurora - Left Side	18	1	700-0027	Decal, Aurora - Left Side
19	1	700-0016	Decal, Aurora - Right Side	19	1	700-0016	Decal, Aurora - Right Side
20	1	700-0020	Decal, Argo Text - 5.50 x 2.00	20	1	700-0020	Decal, Argo Text - 5.50 x 2.00
21	2	700-0034	Decal, Hood - 850 SX HM 8x8	21	2	700-0039	Decal, Hood - 950 SX HM 8x8
			Aurora 850 SX-R				Aurora 950 SX-R
12	2	10503C	Decal, Sheild Domed	12	2	10503C	Decal, Sheild Domed
13	2	10610C	Decal, Argo Shield - Flat	13	2	10610C	Decal, Argo Shield - Flat
14	1	700-0014	Decal, Aurora - Rear	14	1	700-0014	Decal, Aurora - Rear
15	1	700-0023	Decal, Aps - 3.00 x 0.88	15	1	700-0023	Decal, Aps - 3.00 x 0.88
16	1	700-0015	Decal, Aurora - Left Upper	16	1	700-0015	Decal, Aurora - Left Upper
17	1	700-0017	Decal, Aurora Hood Lower - RH	17	1	700-0017	Decal, Aurora Hood Lower - RH
18	1	700-0027	Decal, Aurora - Left Side	18	1	700-0027	Decal, Aurora - Left Side
19	1	700-0016	Decal, Aurora - Right Side	19	1	700-0016	Decal, Aurora - Right Side
20	1	700-0020	Decal, Argo Text - 5.50 x 2.00	20	1	700-0020	Decal, Argo Text - 5.50 x 2.00
21	2	700-0035	Decal, Hood - 850 SX-R 8x8	21	2	700-0040	Decal, Hood - 950 SX-R 8x8
			Aurora 850 SX-R				
12	2	10503C	Decal, Sheild Domed				
13	2	10610C	Decal, Argo Shield - Flat				
14	1	700-0014	Decal, Aurora - Rear				
15	1	700-0023	Decal, Aps - 3.00 x 0.88				
16	1	700-0015	Decal, Aurora - Left Upper				
17	1	700-0017	Decal, Aurora Hood Lower - RH				
18	1	700-0027	Decal, Aurora - Left Side				
19	1	700-0016	Decal, Aurora - Right Side				
20	1	700-0020	Decal, Argo Text - 5.50 x 2.00				
21	2	700-0036	Decal, Hood - 850 LTD 8x8				



1



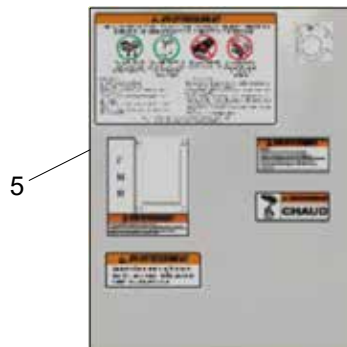
2



3



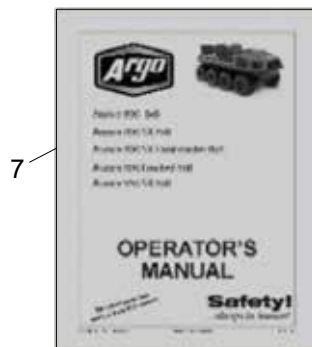
4



5

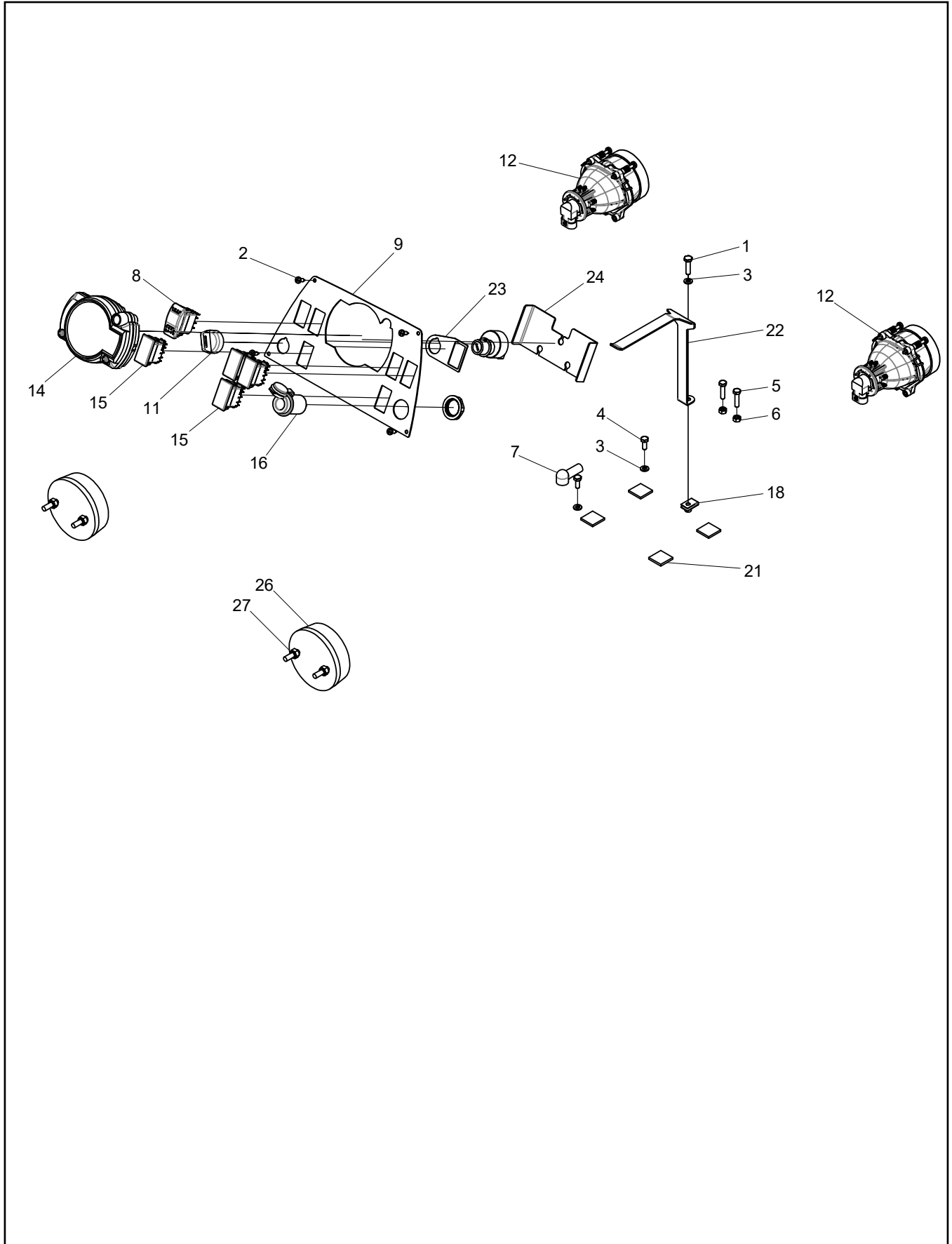


6



7

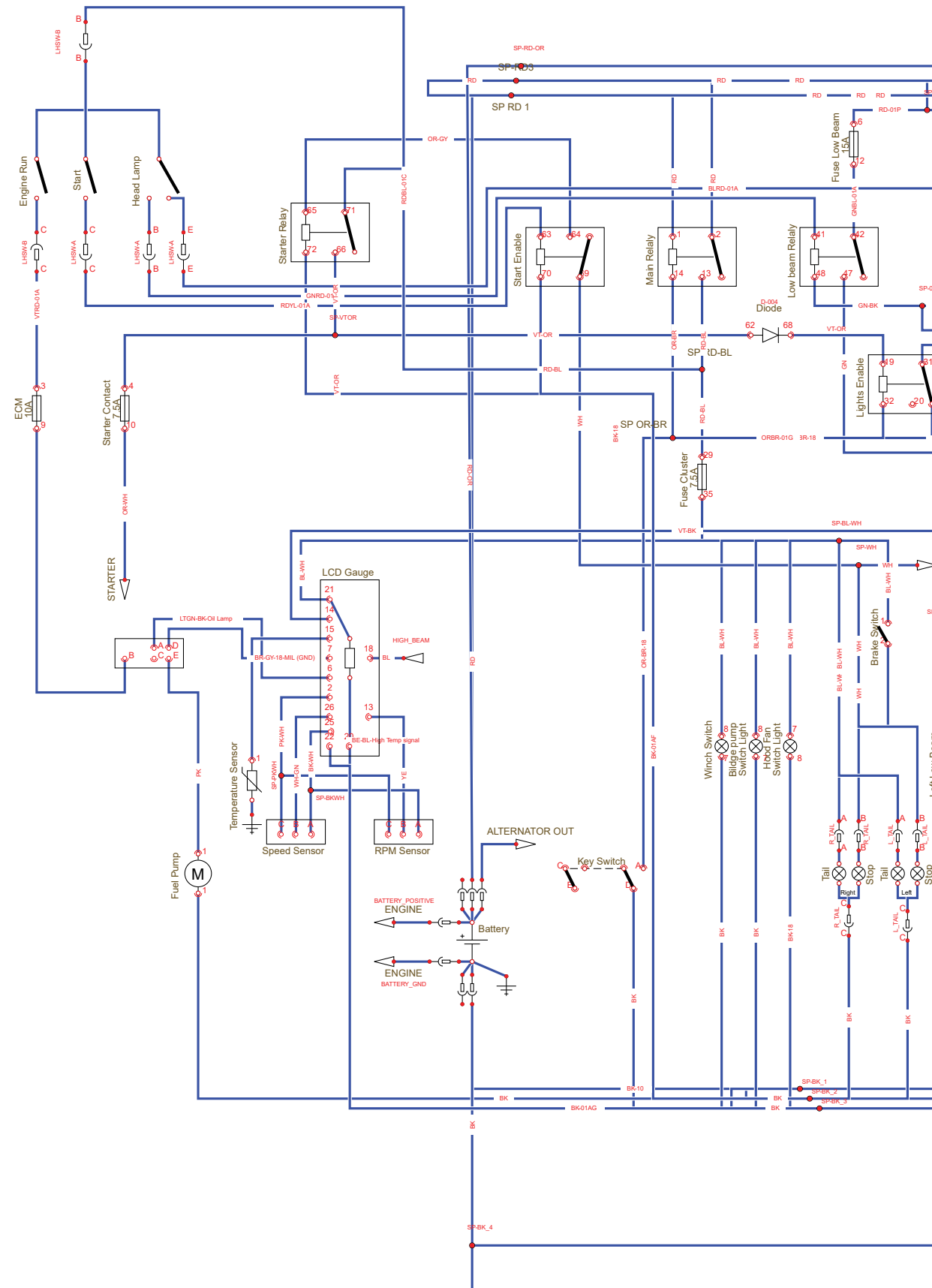
FUSE PANEL LABELS - EN FR RU SP			
Ref.	Qty.	Part #	Description
1	1	127-298	Label, Fuse Panel, Argo
2	1	127-298FR	Label, Fuse Panel, Argo-FR
3	1	127-298RU	Label, Fuse Panel, Argo-RU
4	1	127-298SP	Label, Fuse Panel, Argo-SP
LABEL SHEETS - FR RU			
Ref.	Qty.	Part #	Description
5	1	10670C	Label Sheet, Aurora - French
6	1	10671C	Label Sheet, Aurora - Russian
OPERATOR'S MANUAL - EN			
Ref.	Qty.	Part #	Description
7	1	10690C	Operator's Manual, Aurora

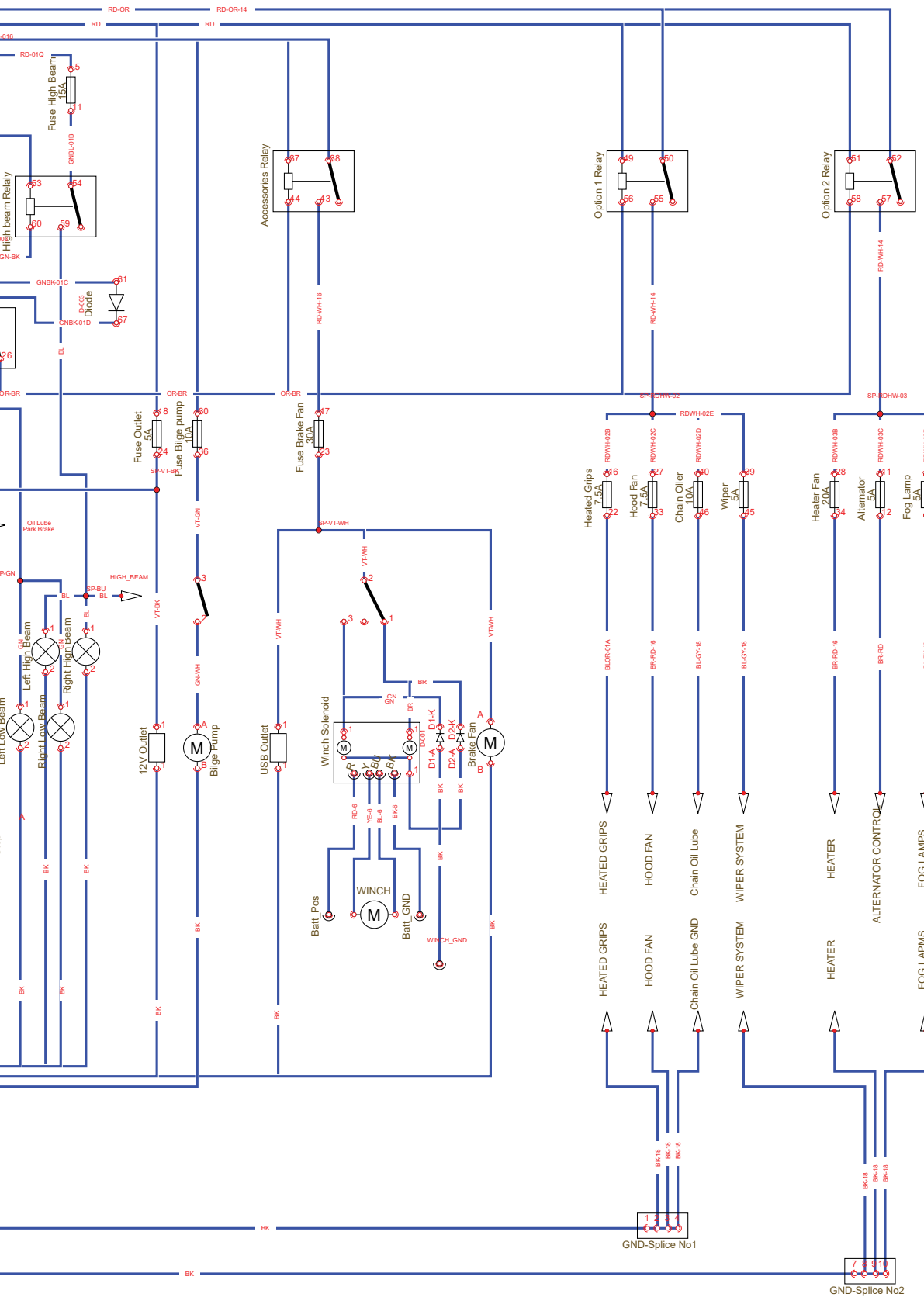


Ref.	Qty.	Part #	Description
1	1	103-08	HHCS 1/4-20x1.0 Bnz
2	4	103-48	T/S Pan Hd Phil #10x5/8 A Blk
3	3	108-03	Lockwasher 1/4 Split Ring Zn
4	2	112-118	HHCS M6x1,0x15mm
5	2	112-212	HHCS M6X1x25mm, Black Zn
6	2	117-63	Nut, Hex M6x1,0 Zn
7	1	613-46	Insulator, Terminal (2 Ga.)
8	1	613-295	Switch, Winch
9	1	700-0012	Panel Dash
10	1	10000B	Handle Switch, Left
11	1	10006B	Switch, Ignition
12	2	10008B	Light, Low Beam
14	1	10010B	Gauge, Instrument Panel
15	4	10015B	Switch, Hole Plug
16	1	10016B	Outlet, 12 Volt
17	1	10022C	Harness, Main
18	1	10056A002	Unut, 1/4-20 x .025-.150 PH
19	1	10328C	Cable, Battery Positive
20	1	10329C	Cable, Battery Negative
21	4	10331C	Bumper, 1"x1" Adhesive Backed
22	1	10332C	Bracket, Tie Down
23	1	10425C	Spacer, Ignition
24	1	10527C	Bracket, Gauge Mount
25	1	600-0053	Harness, Park Brake
26	2	10007B	Light, Brake
27	4	112-115	Locknut, Nylon M6x1 Bnz

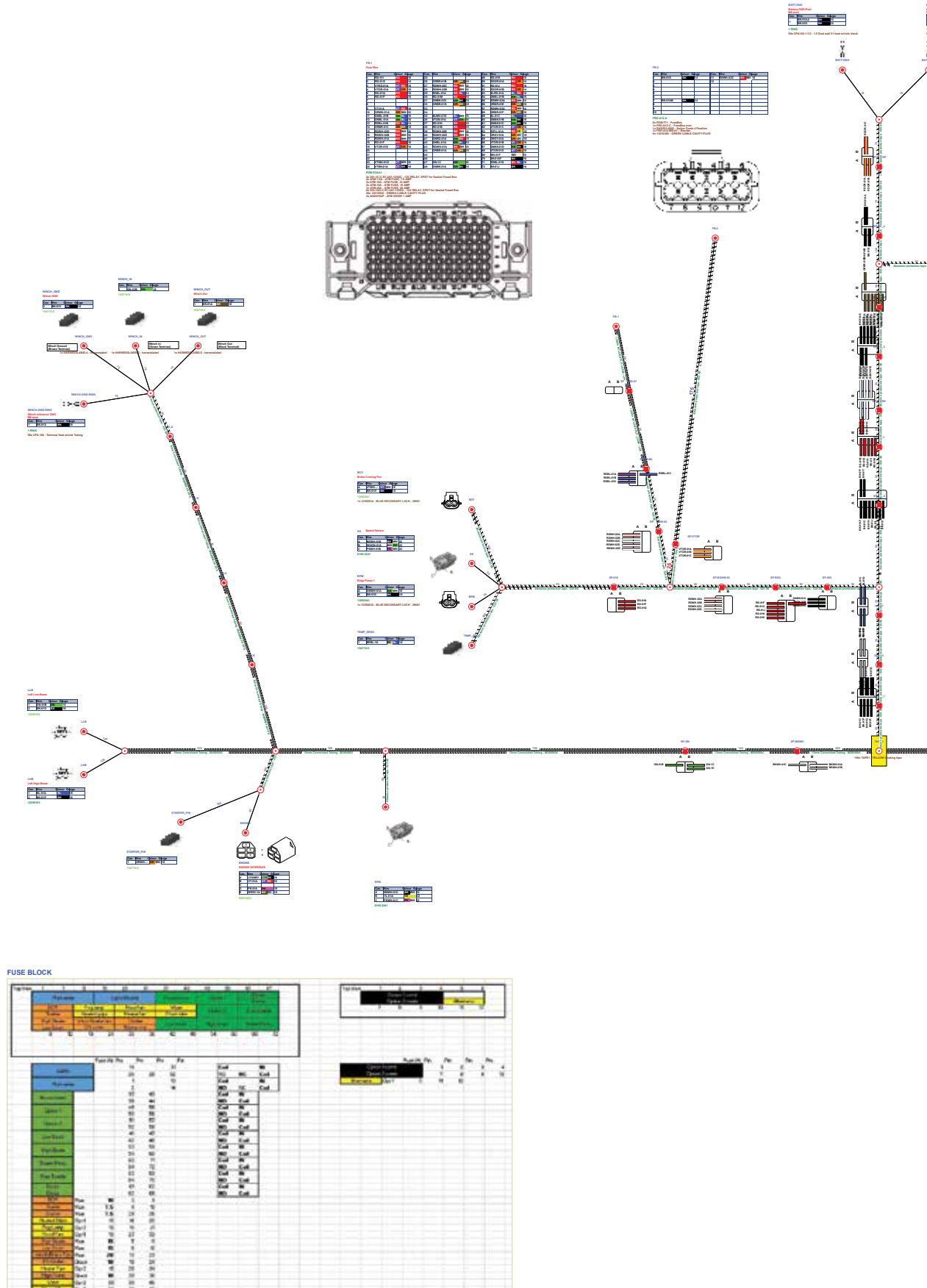
16.1 Main Wire Harness - Schematic

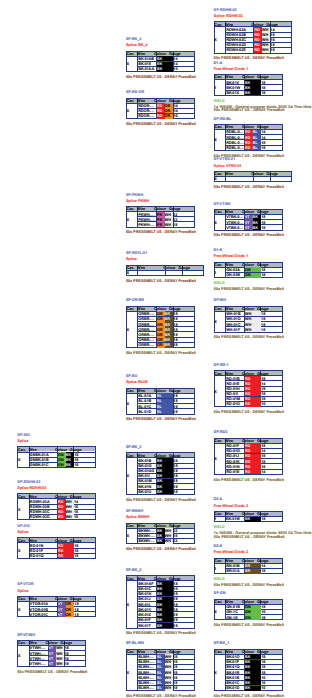
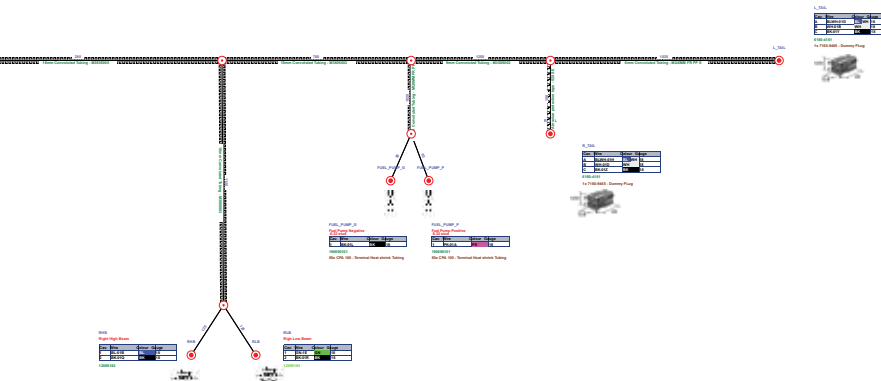
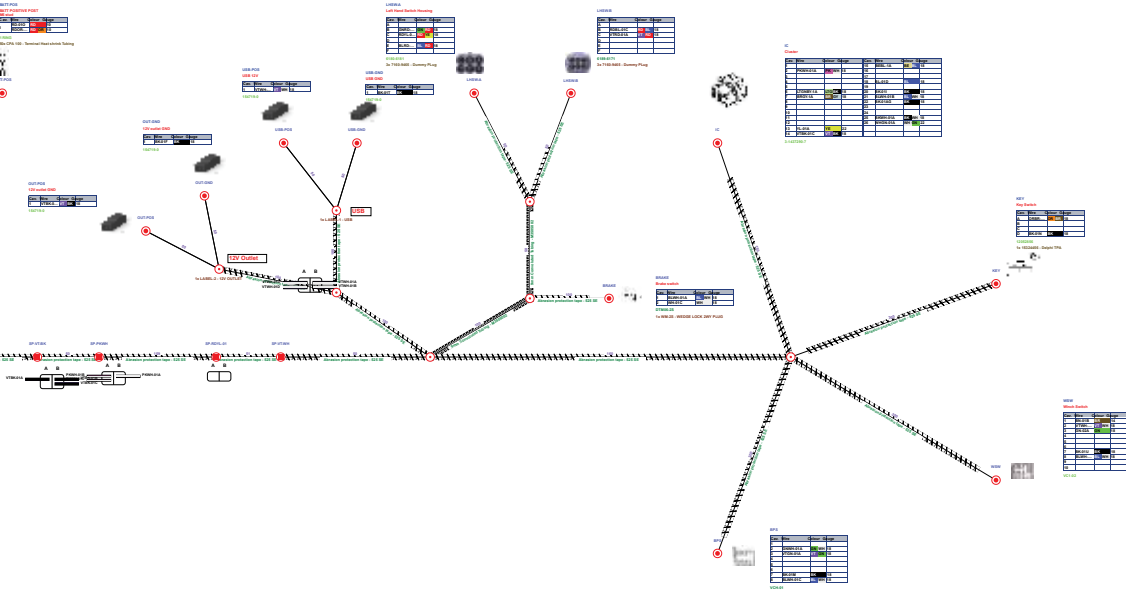
Aurora Parts Manual

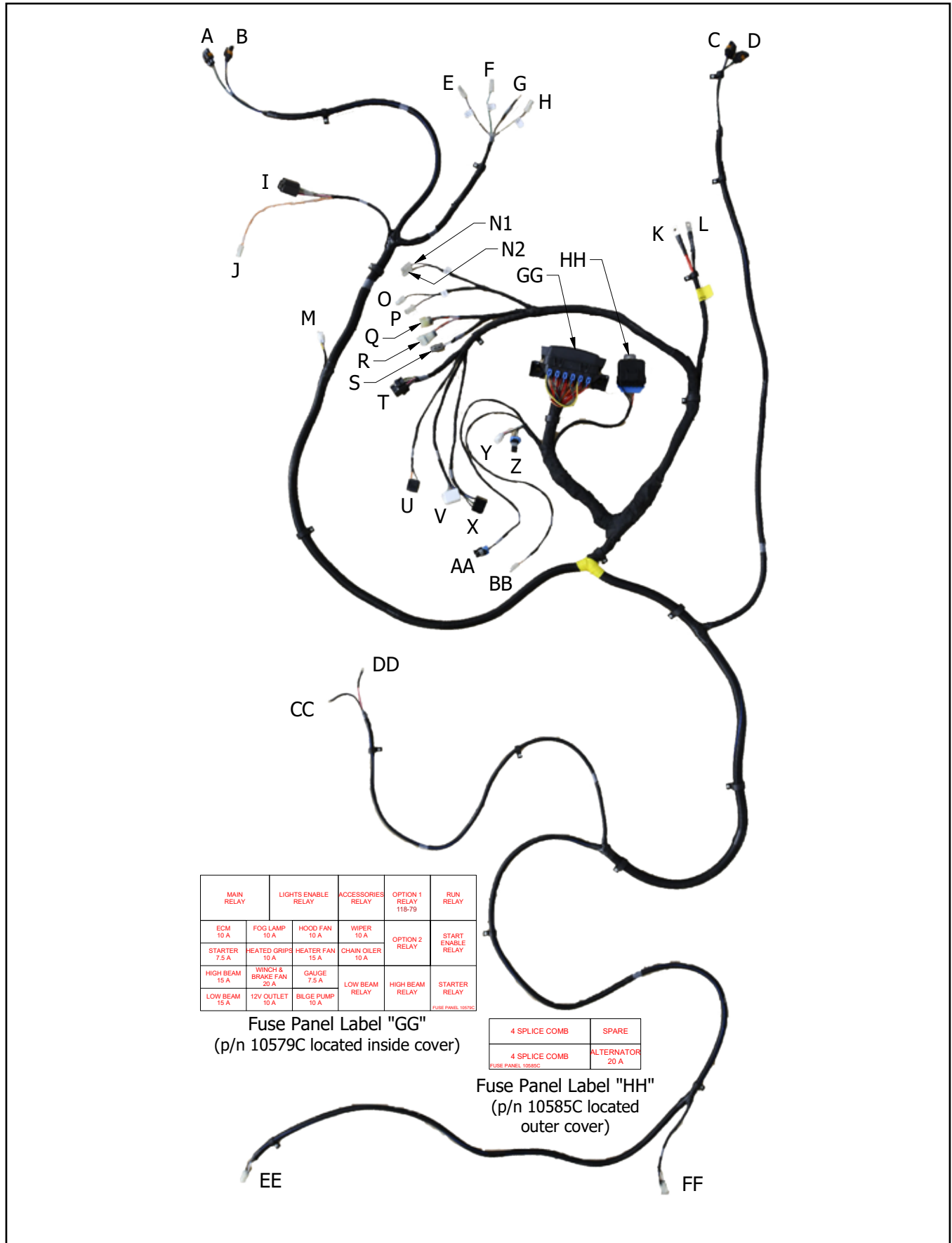




10022C







MAIN RELAY	LIGHTS ENABLE RELAY	ACCESSORIES RELAY	OPTION 1 RELAY 11&19	RUN RELAY
ECM 10 A	FOG LAMP 10 A	HOOD FAN 10 A	WIPER 10 A	OPTION 2 RELAY
STARTER 7.5 A	HEATED GRIPS 10 A	HEATER FAN 15 A	CHAIN OILER 10 A	START ENABLE RELAY
HIGH BEAM 15 A	WINCH & BRAKE FAN 20 A	GAUGE 7.5 A	LOW BEAM RELAY	HIGH BEAM RELAY
LOW BEAM 15 A	12V OUTLET 10 A	BILGE PUMP 10 A		STARTER RELAY

Fuse Panel Label "GG"
(p/n 10579C located inside cover)

4 SPLICE COMB	SPARE
4 SPLICE COMB	ALTERNATOR 20 A

Fuse Panel Label "HH"
(p/n 10585C located outer cover)

WIRE HARNESS ID CHART		
Ref.	Description	Con/Wire Color
A	Left Low Beam	Gn/Bk
B	Left High Beam	Bl/Bk
C	Right High Beam	Bl/Bk
D	Right Low Beam	Gn/Bk
E	Winch Out	Br
F	Winch In	Gn
G	Winch Ground Ring	Bk
H	Winch Ground	Bk
I	Engine Plug	6 pin Bl Con
J	Starter Connector	Or/Wh
K	Battery Positive	Rd
L	Battery Negative	Bl
M	RPM	3 pin Wh Con
N1	USB-Pos	Vt/Wh
N2	USB-Gnd	Bk
O	12V Outlet - Gnd	Bk
P	12V Outlet - Pos	Vt/Bk
Q	Left Hand Switch-A	Gn-Rd/RdYe/Bl-Rd
R	Left Hand Switch-B	Rd-Bl/Vt-Rd
S	Brake Switch-Handlebar	Bl-Wh/Wh
T	Instrument Panel Cluster	14 pin Bl Con
U	Key Switch	Or-Br/Bl
V	Winch Switch	10 pin Wh Con
X	Bilge Pump Switch	8 pin Bl Con
Y	Speed Sensor	3 pin Wh Con
Z	Bilge Pump	2 pin Bl-Bk-Gy Con, Gr-Wh/Bk
AA	Brake Cooling Fan	2 pin Bl-Bk-Gy Con, Vt-Wh/Bk
BB	Engine Temp Sensor	Be/Bl
CC	Fuel Pump - Neg	Bk
DD	Fuel Pump - Pos	Pk
EE	Left Tail Light	Bl-Wh/Wh/Bk
FF	Right Tail Light	Bl-Wh/Wh/Bk
GG	Fuse Box-Primary	72 pin Bl Con
HH	Fuse Box-Second	12 pin Bl Con
ACCS	Mini Relay	118-79

ARGO Products Manufactured by:

Ontario Drive & Gear Limited

220 Bergey Court

New Hamburg, Ontario

Canada N3A 2J5

Phone: (519) 662-2840

Fax: (519) 662-2421

www.argoxtv.com

ODG *Dedicated to quality and performance*